



Templates

Issue 27

PRINT AT 100% SIZE

When printed
at the correct
size, this box
will measure
1in / 26mm
square

BLOCK OF THE MONTH

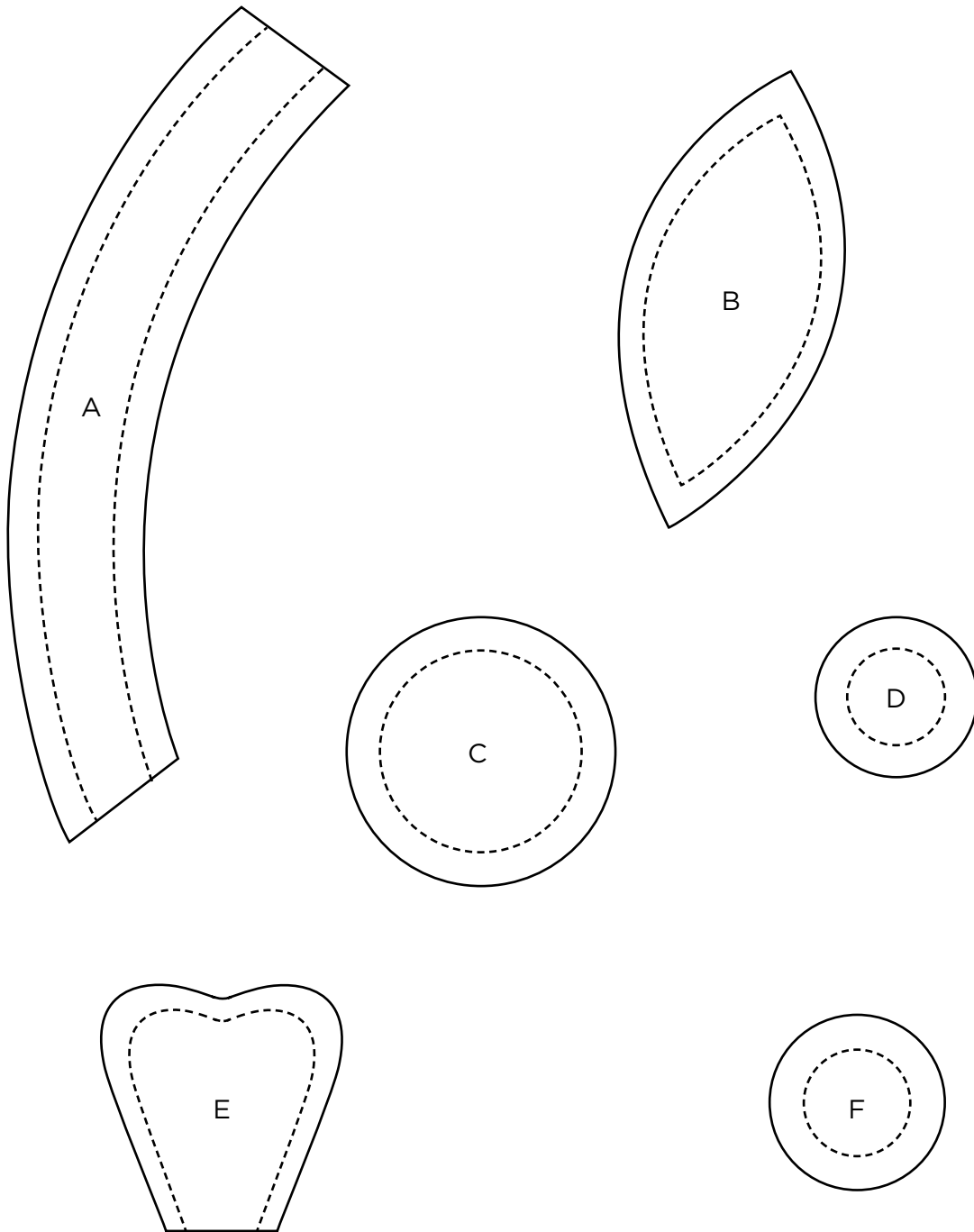
Jo Avery page 85

APPLIQUÉ TEMPLATES



ACTUAL SIZE

Includes seam allowances



When printed
at the correct
size, this box
will measure
1in / 26mm
square

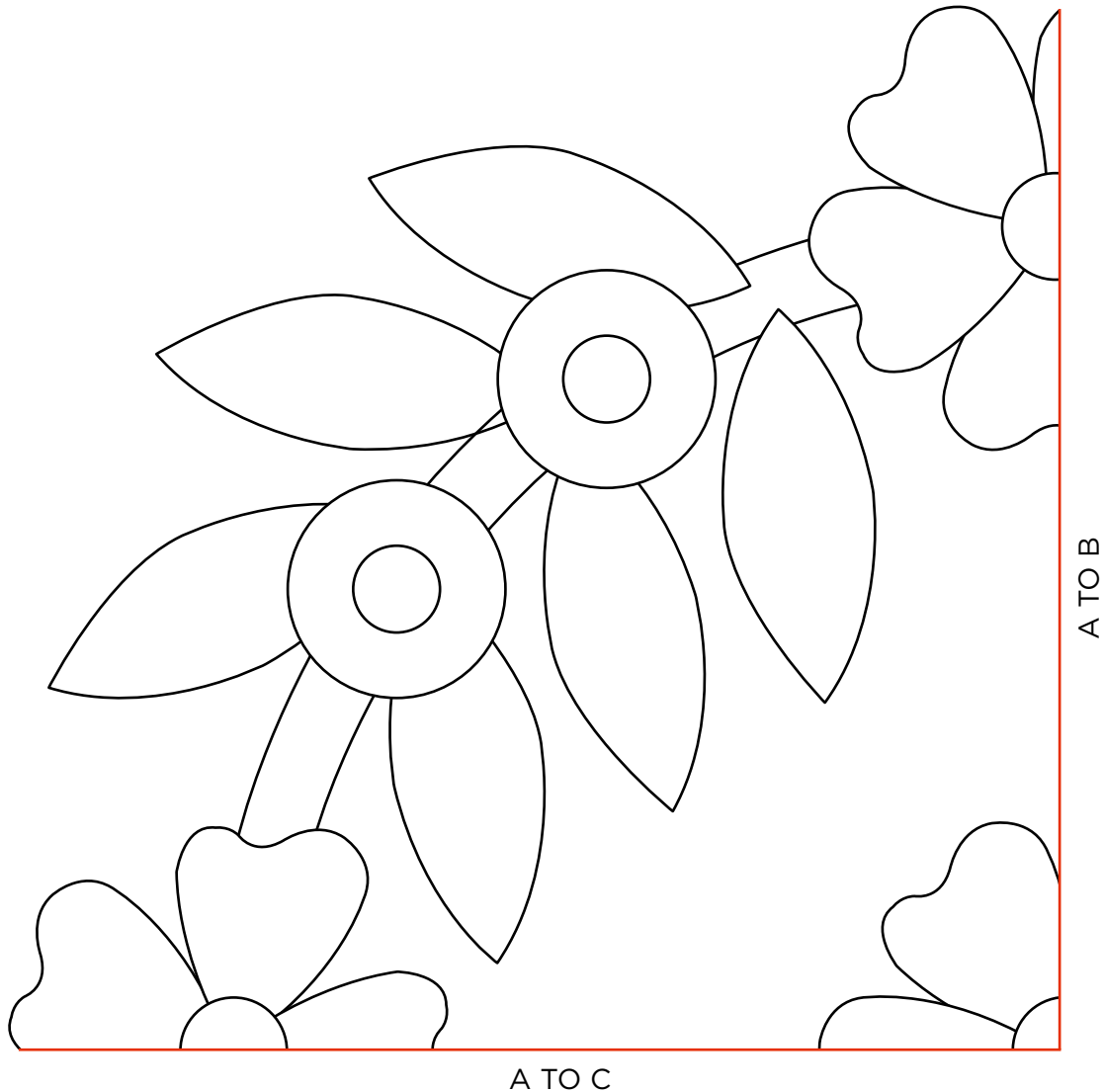
BLOCK OF THE MONTH

Jo Avery page 85

APPLIQUÉ PATTERN

← —
ACTUAL SIZE

PART A



When printed
at the correct
size, this box
will measure
1in / 26mm
square

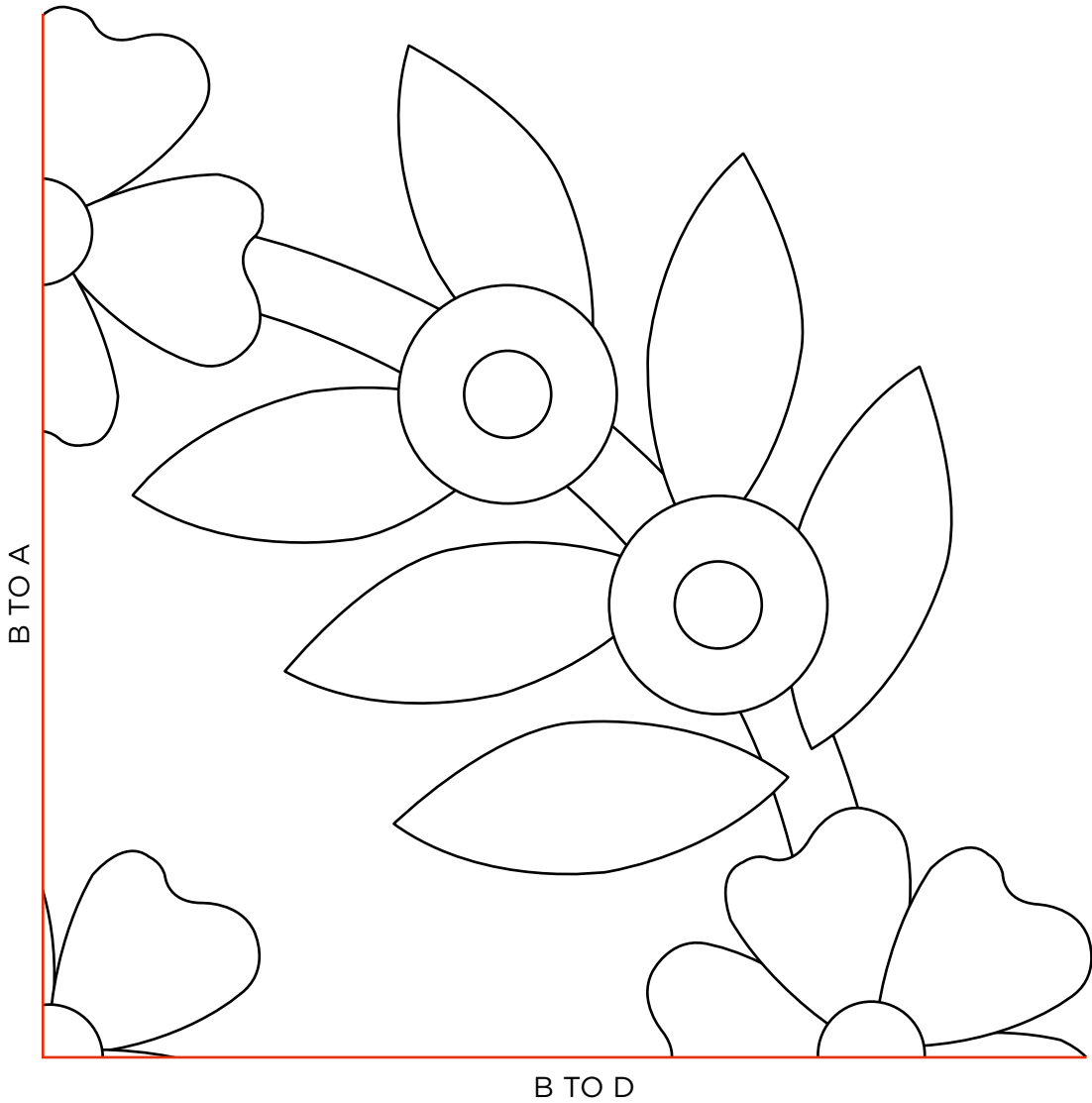
BLOCK OF THE MONTH

Jo Avery page 85

APPLIQUÉ PATTERN

← —
ACTUAL SIZE

PART B



When printed
at the correct
size, this box
will measure
1in / 26mm
square

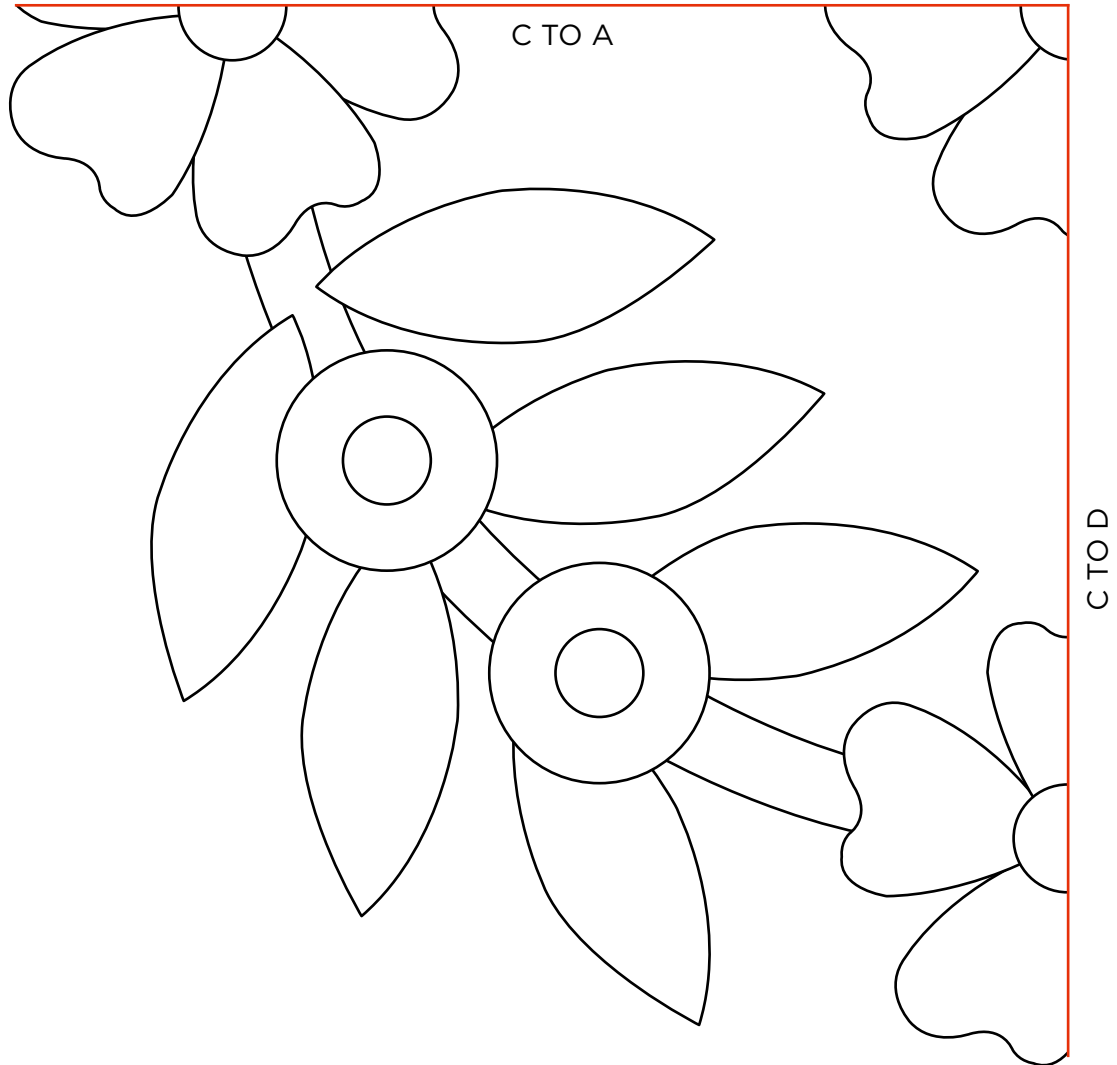
BLOCK OF THE MONTH

Jo Avery page 85

APPLIQUÉ PATTERN

← —
ACTUAL SIZE

PART C



When printed
at the correct
size, this box
will measure
1in / 26mm
square

BLOCK OF THE MONTH

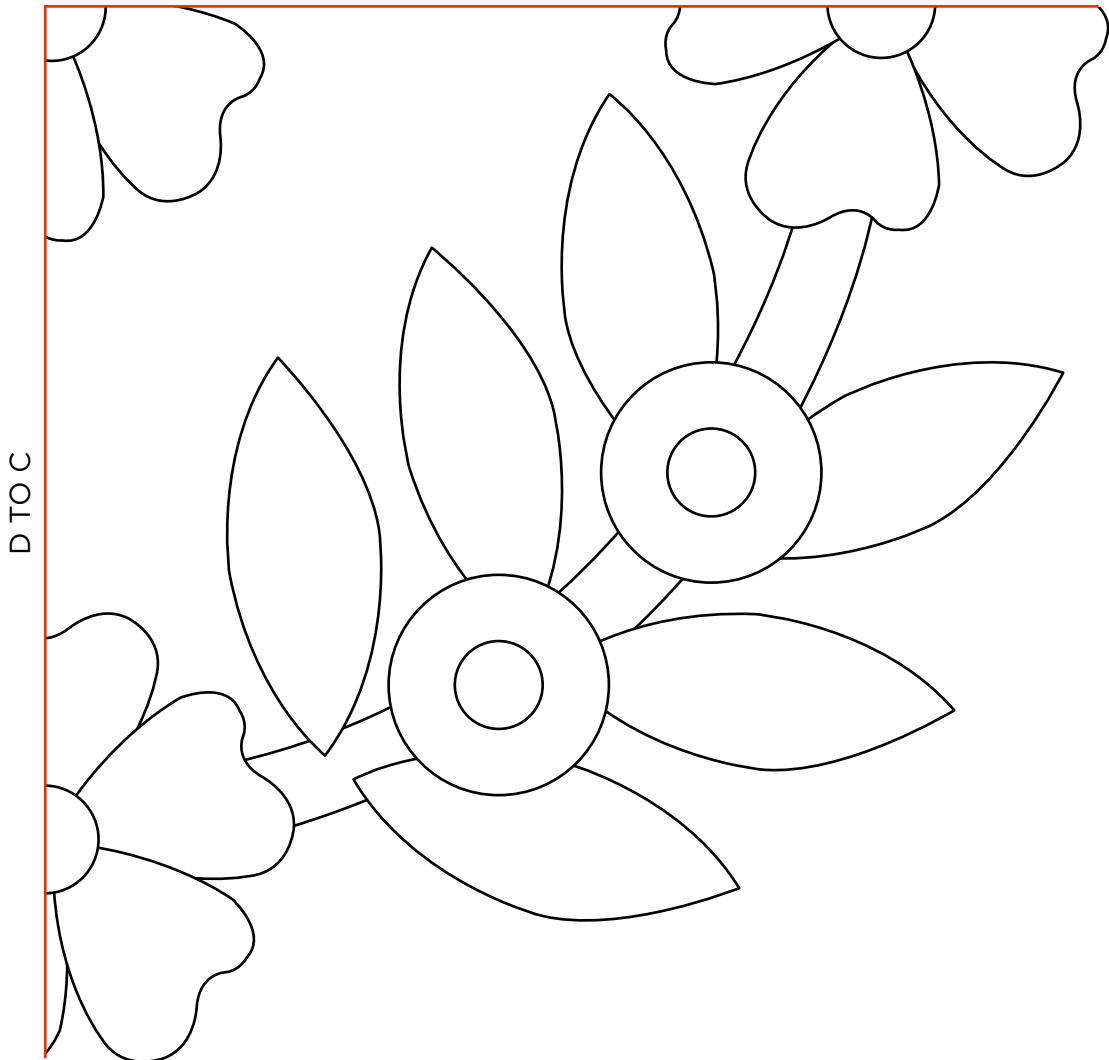
Jo Avery page 85

APPLIQUÉ PATTERN

← —
ACTUAL SIZE

PART D

D TO B



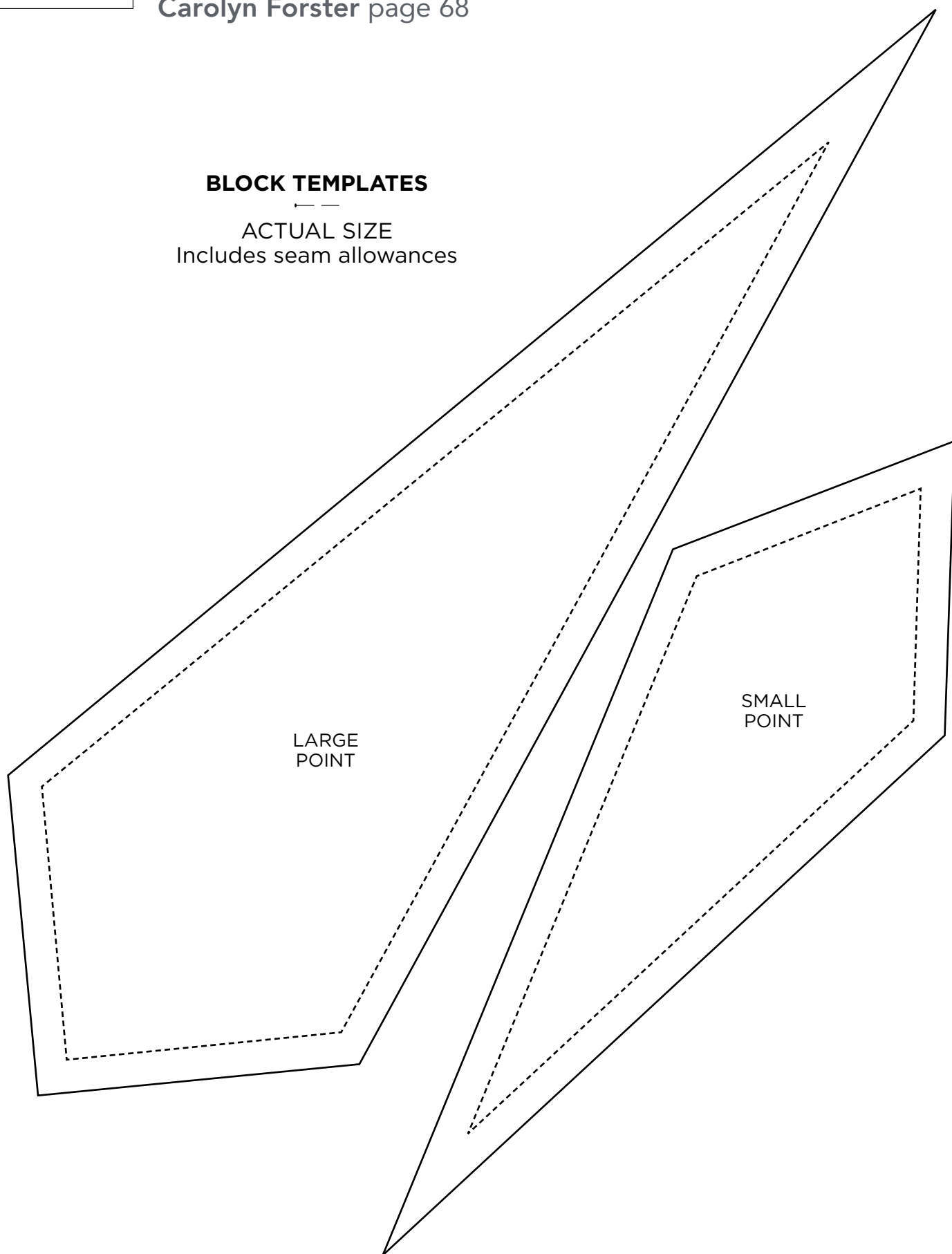
When printed
at the correct
size, this box
will measure
1in / 26mm
square

NEW DIRECTIONS

Carolyn Forster page 68

BLOCK TEMPLATES

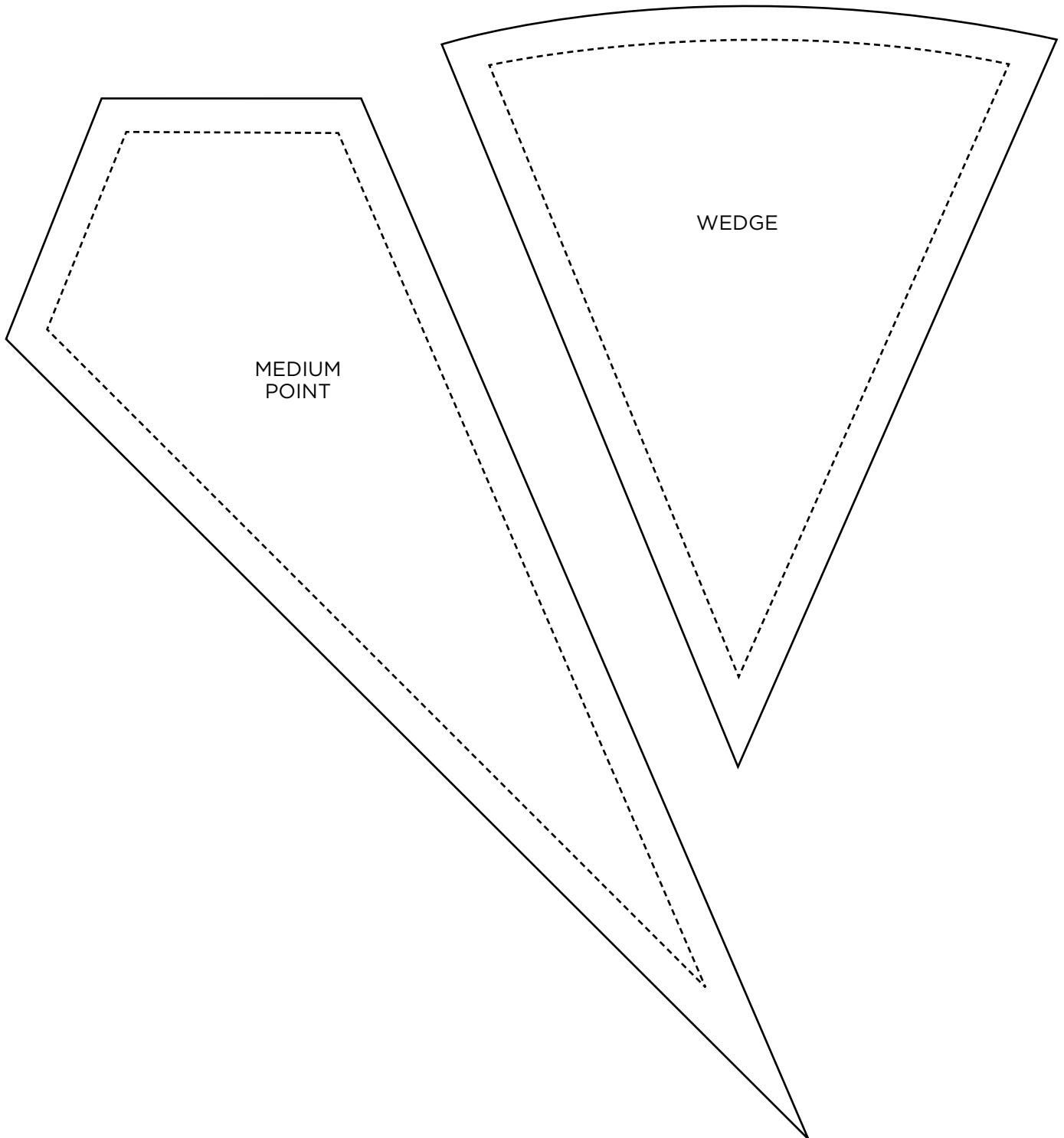
ACTUAL SIZE
Includes seam allowances



When printed
at the correct
size, this box
will measure
1in / 26mm
square

NEW DIRECTIONS

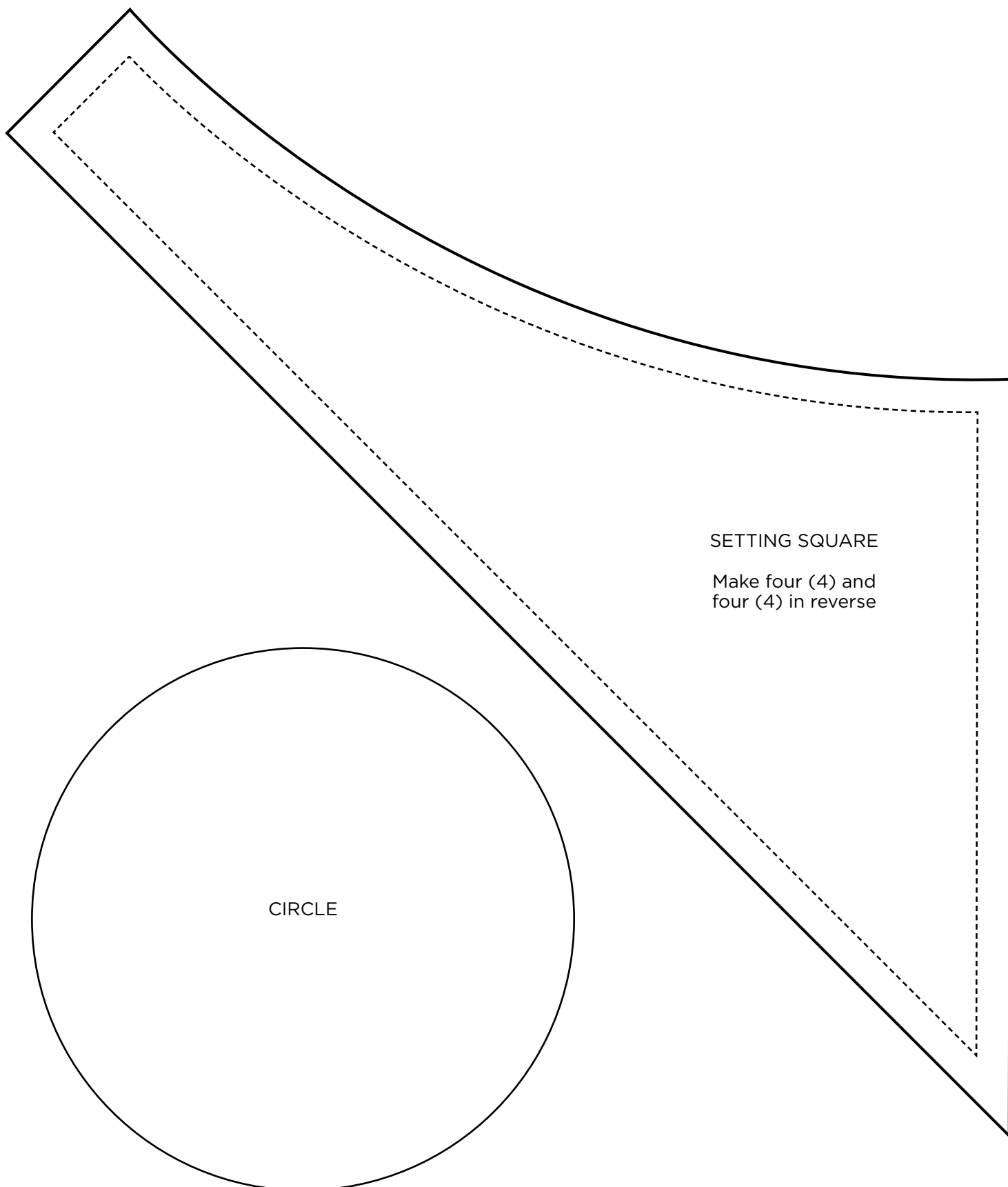
Carolyn Forster page 68



When printed
at the correct
size, this box
will measure
1in / 26mm
square

NEW DIRECTIONS

Carolyn Forster page 68



SETTING SQUARE

Make four (4) and
four (4) in reverse

CIRCLE