



Templates

Issue 1

PRINT AT 100% SIZE

When printed at
the correct size, this
box will measure
1in / 26mm square

CLASSIC GARDEN MAZE

Carolyn Forster page 24



TEMPLATE C
ACTUAL SIZE

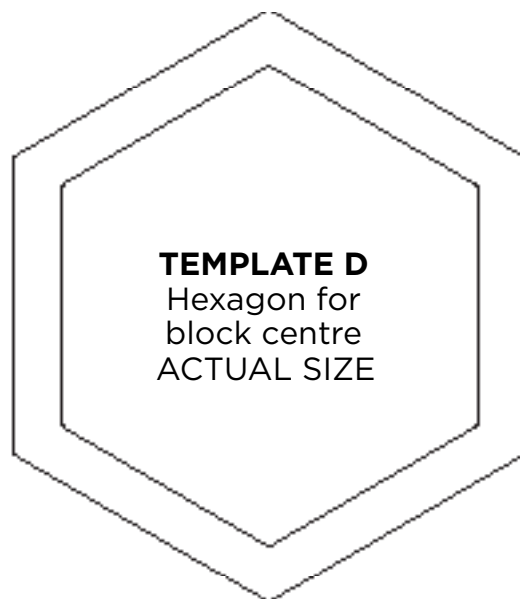
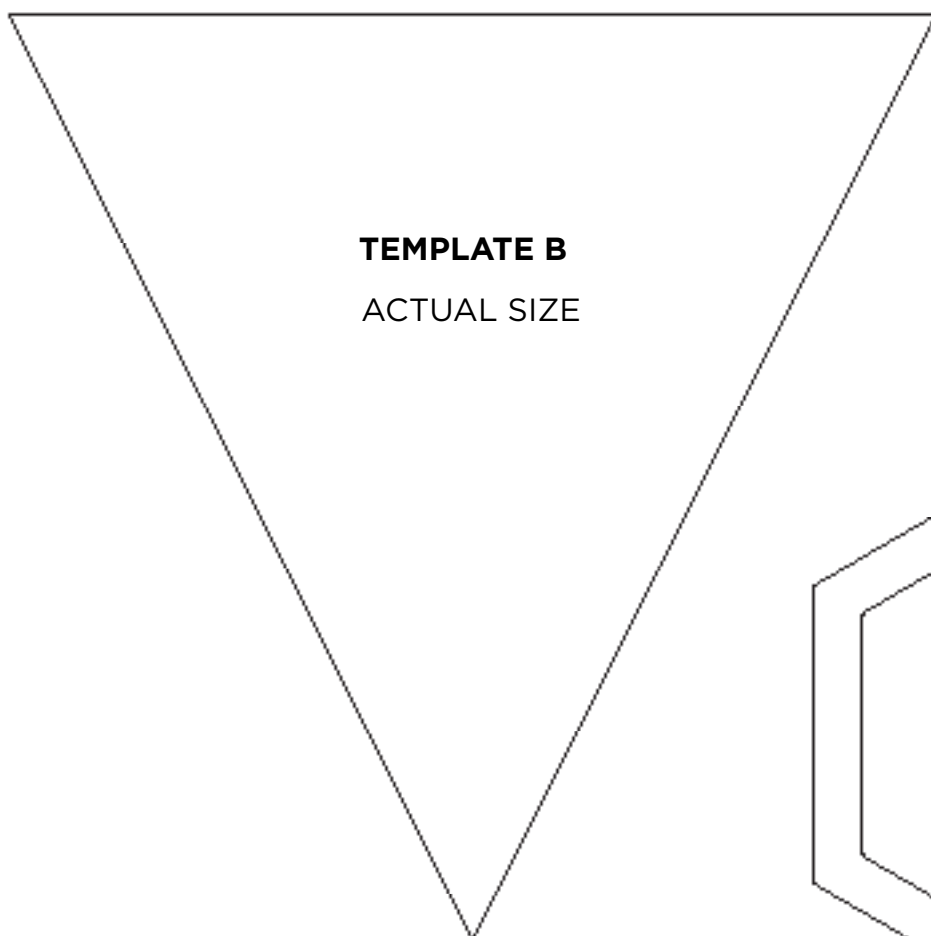


TEMPLATE A
ACTUAL SIZE

When printed at
the correct size, this
box will measure
1in / 26mm square

CLASSIC GARDEN MAZE

Carolyn Forster page 24

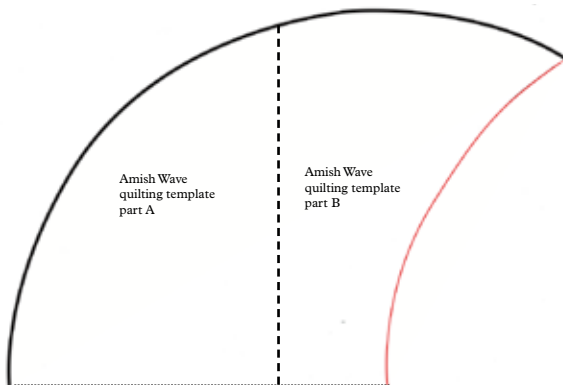


Add ¼in all round when
cutting out the fabric

When printed at
the correct size, this
box will measure
1in / 26mm square

CLASSIC GARDEN MAZE

Carolyn Forster page 24



Cut out parts A and B then tape together along the dotted lines to create your full size template. Transfer the solid black line only onto your quilt. The red line denotes where the previous curve would have been marked as you work from right to left.

Amish Wave quilting template part A

ACTUAL SIZE

Thank you for making this project from *Today's Quilter*. The copyright for these templates belongs to the designer of the project. Please don't re-sell or distribute their work without permission. Please do not make any part of the templates or instructions available to others through your website or a third party website, or copy it multiple times without our permission. Copyright law protects creative work and unauthorised copying is illegal. We appreciate your help.

TODAY'S
QUILTER
Create beautiful quilts for your home

When printed at
the correct size, this
box will measure
1in / 26mm square

CLASSIC GARDEN MAZE

Carolyn Forster page 24

Amish Wave quilting template part B

ACTUAL SIZE

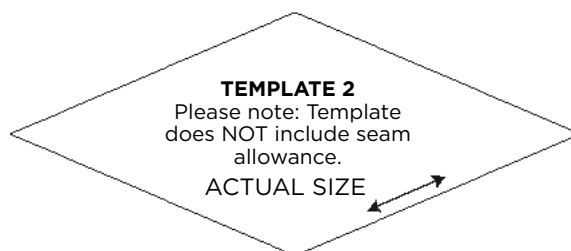
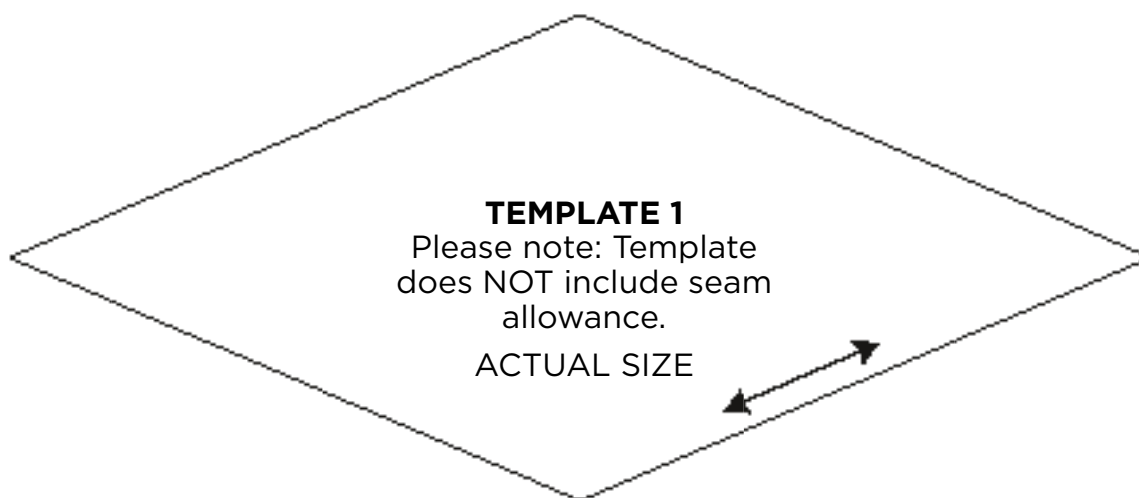
Thank you for making this project from *Today's Quilter*. The copyright for these templates belongs to the designer of the project. Please don't re-sell or distribute their work without permission. Please do not make any part of the templates or instructions available to others through your website or a third party website, or copy it multiple times without our permission. Copyright law protects creative work and unauthorised copying is illegal. We appreciate your help.

TODAY'S
QUILTER
Create beautiful quilts for your home

When printed at
the correct size, this
box will measure
1in / 26mm square

BLOCK OF THE MONTH

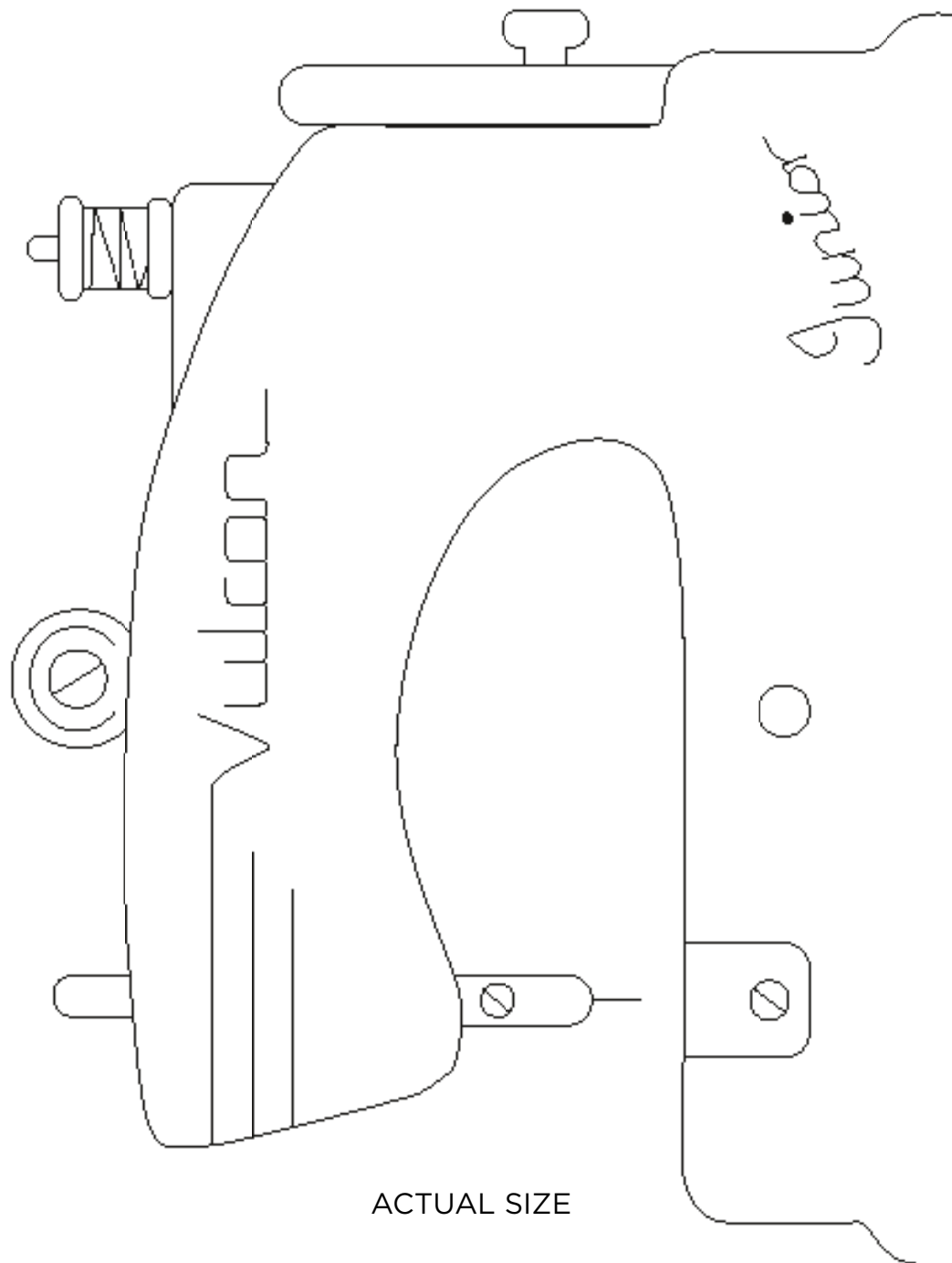
Jen Kingwell page 87



When printed at
the correct size, this
box will measure
1in / 26mm square

VINTAGE STITCH CUSHION

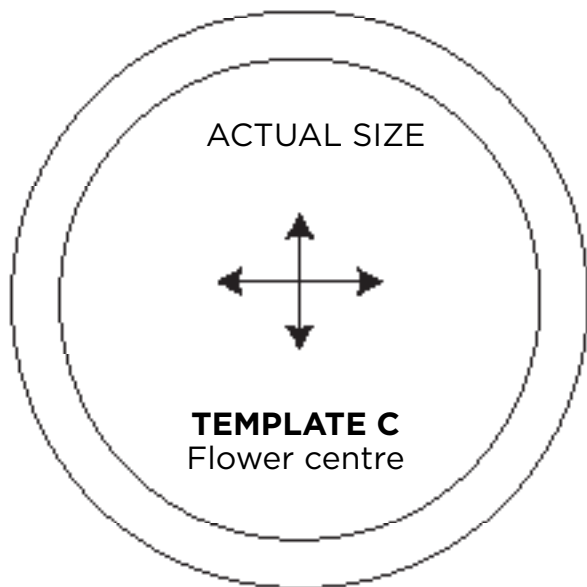
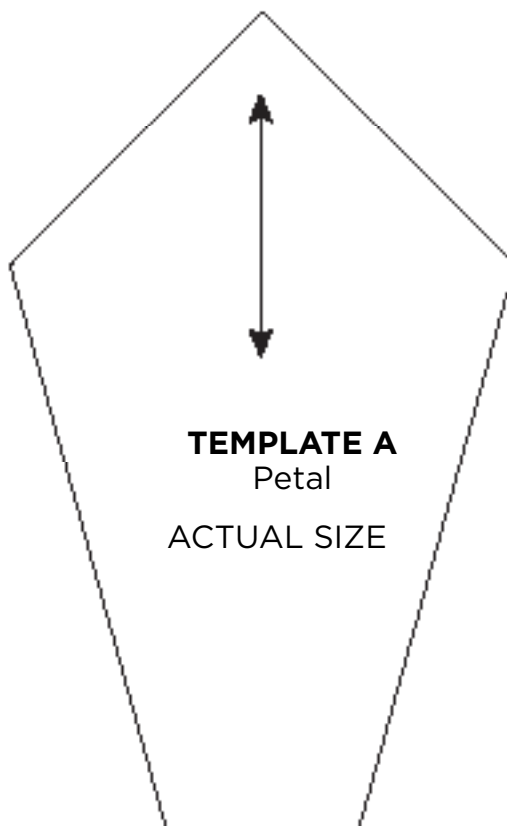
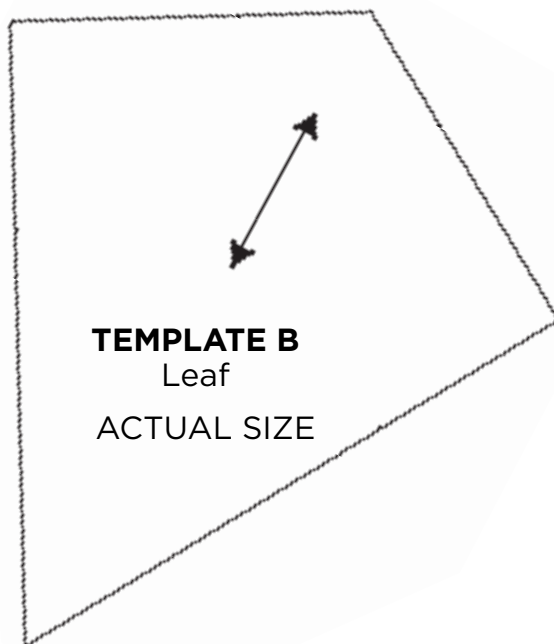
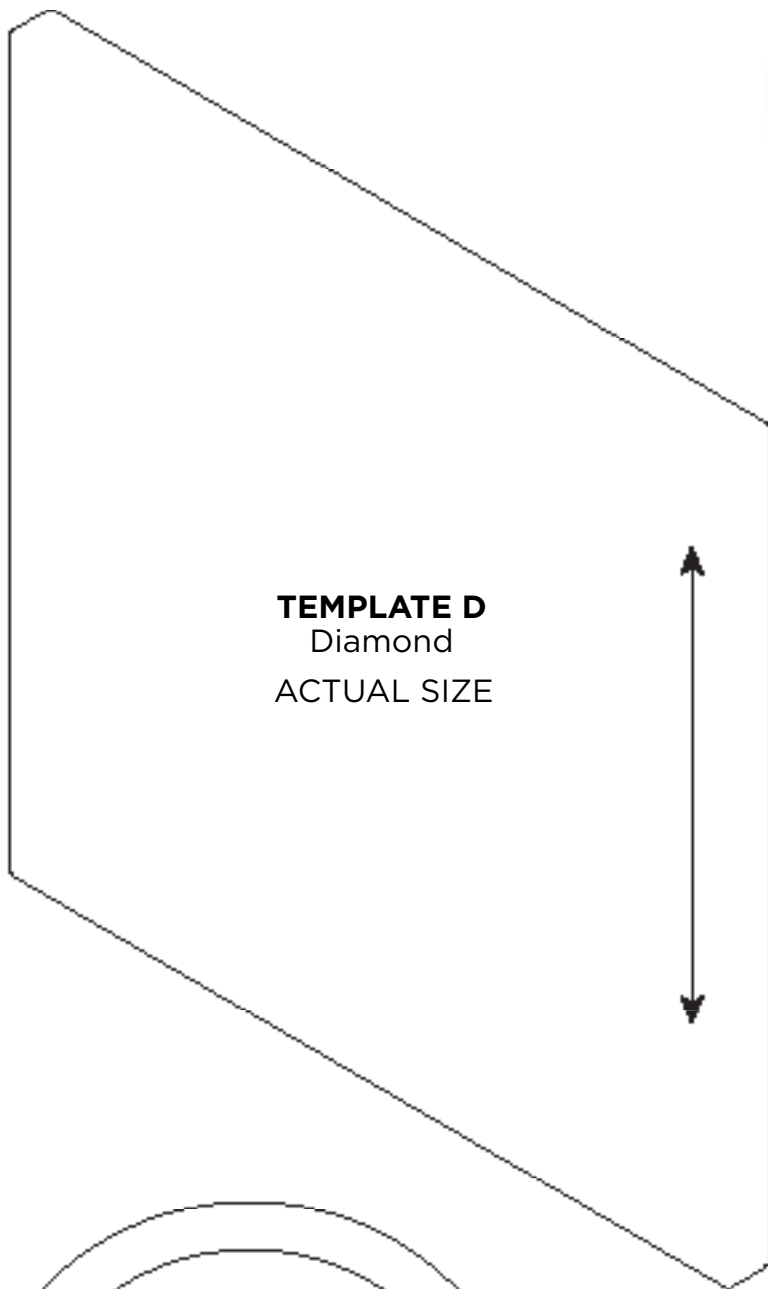
Mandy Shaw page 51



When printed at the correct size, this box will measure 1in / 26mm square

SOOTHING SUNFLOWERS

Carolyn Forster page 61



Use the smaller circle to cut the freezerpaper and the larger circle to cut the fabric

When printed at
the correct size, this
box will measure
1in / 26mm square

OVER-UNDER BLOCK QUILT

Kaffe Fassett and Liza Prior Lucy
page 36 of the Kaffe Fassett souvenir
supplement



Template A.
ACTUAL SIZE

Template A includes a $\frac{1}{4}$ in
seam allowance