

TODAY'S
QUILTER
Create beautiful quilts for your home

FOUNDATION PAPER PIECING TEMPLATES

by Lynne Goldsworthy

TEMPLATES ACTUAL SIZE
Includes seam allowances

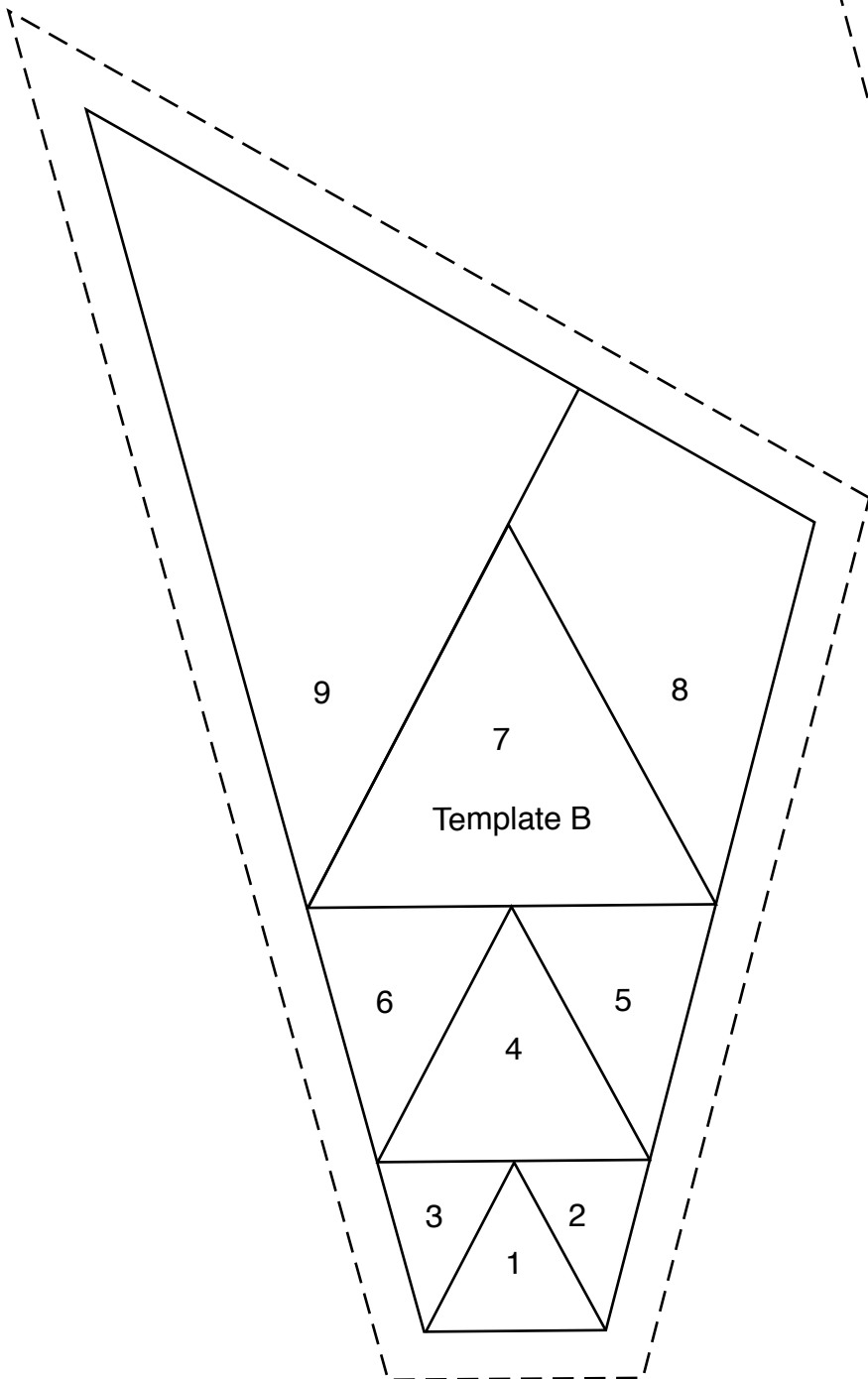
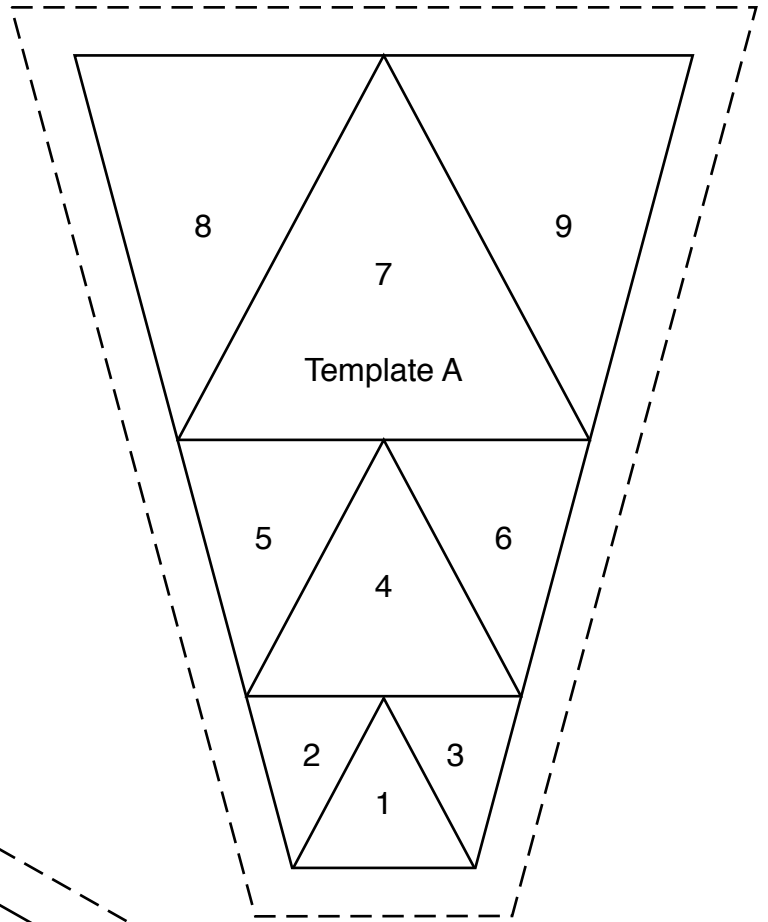
— —



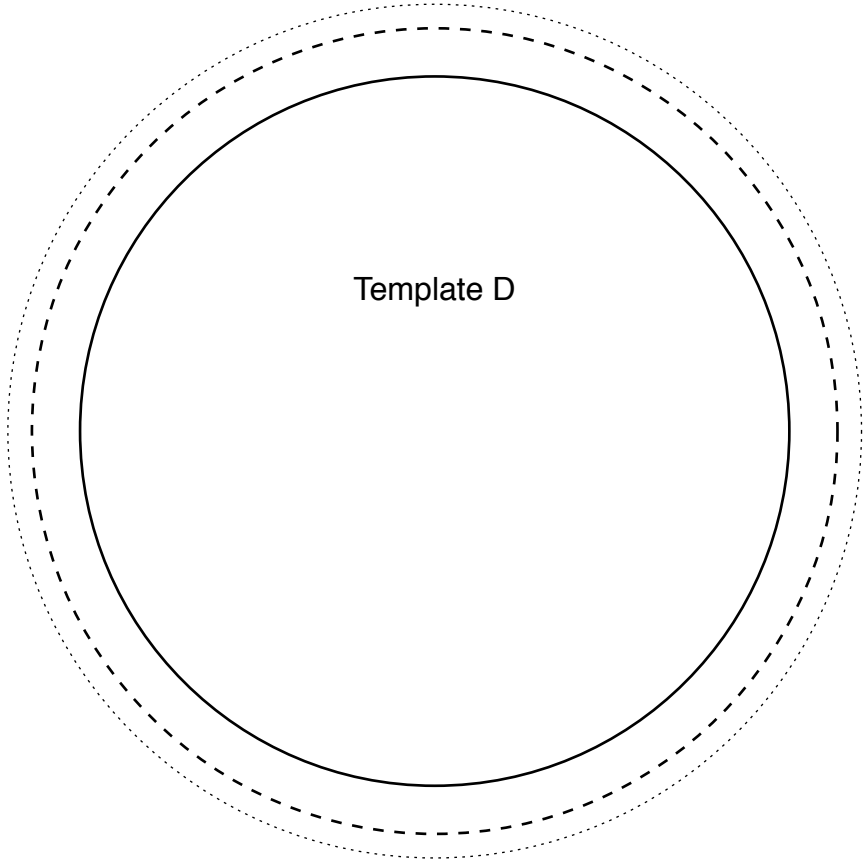
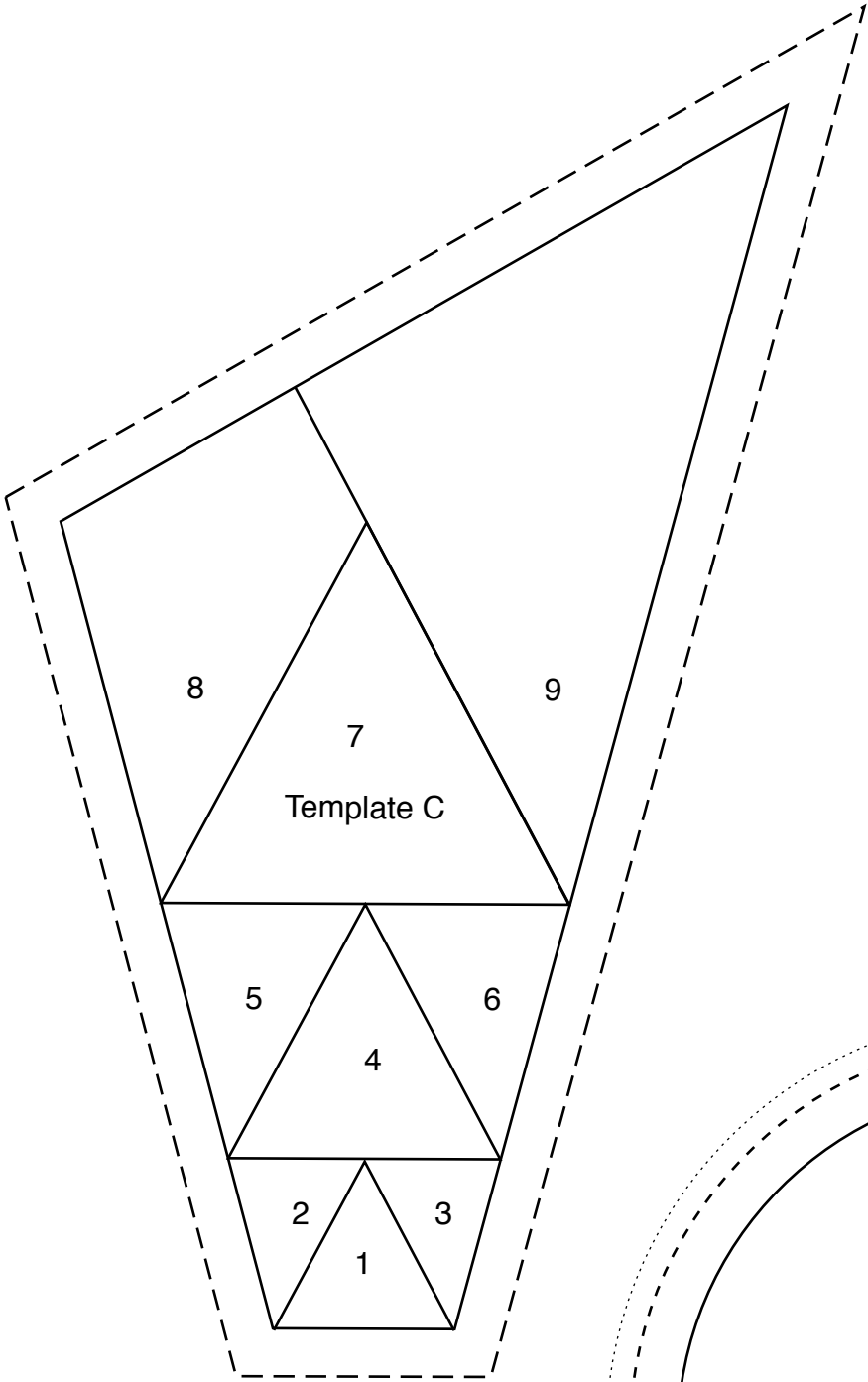
**DOWNLOAD
THESE TEMPLATES
FULL SIZE**

*Visit our blog:
www.todaysquilter.com
today!*

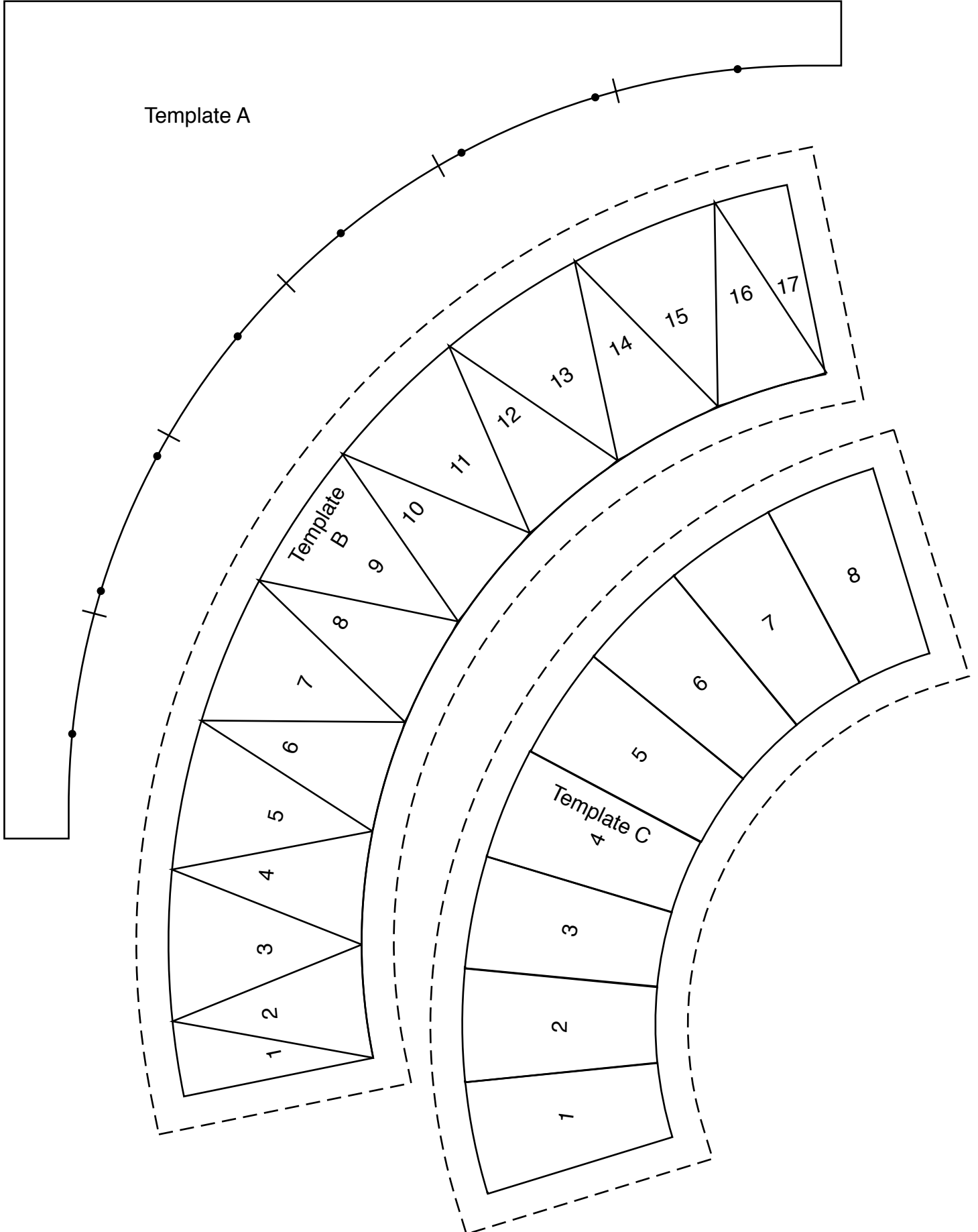
Block 1 RADIATING SUNLIGHT



Block 1 RADIATING SUNLIGHT

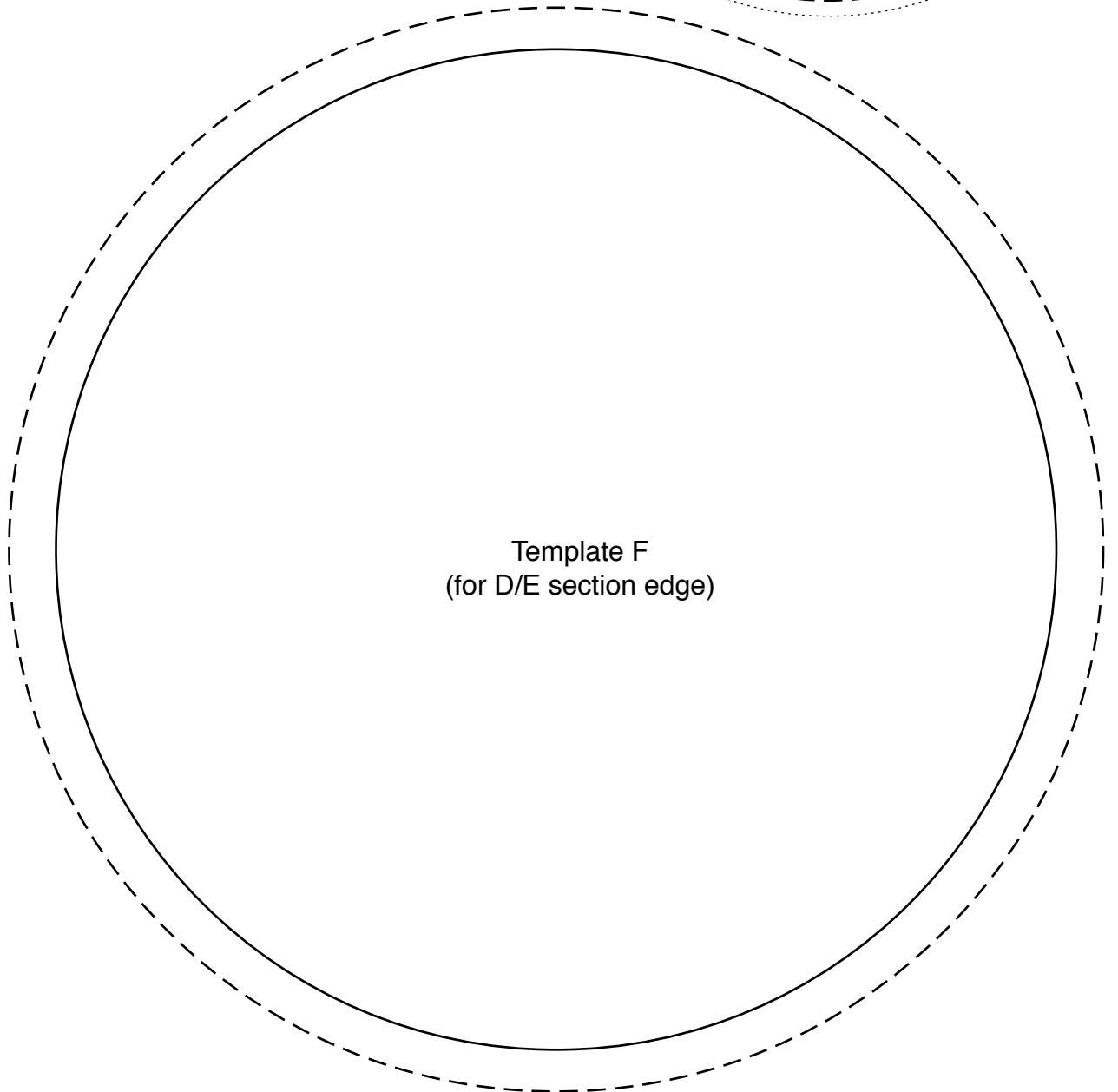
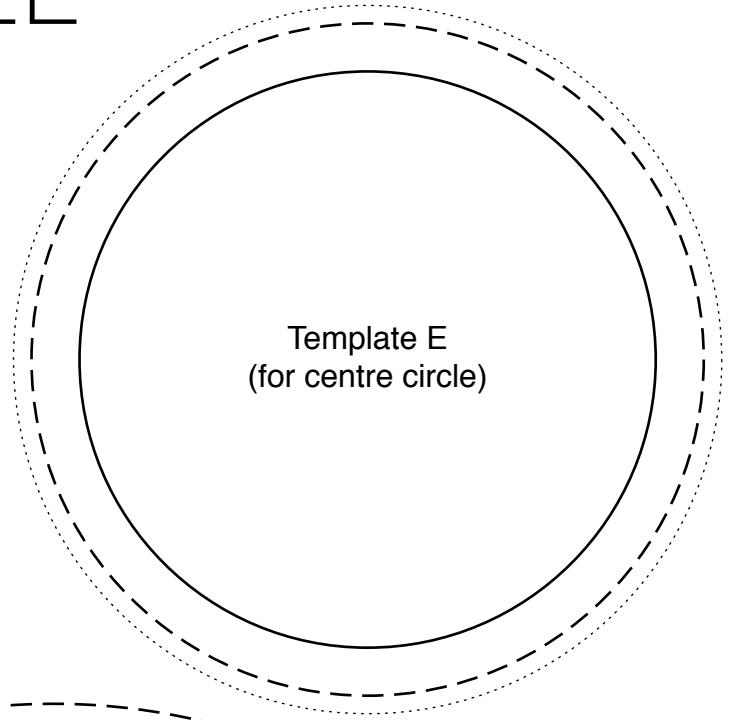
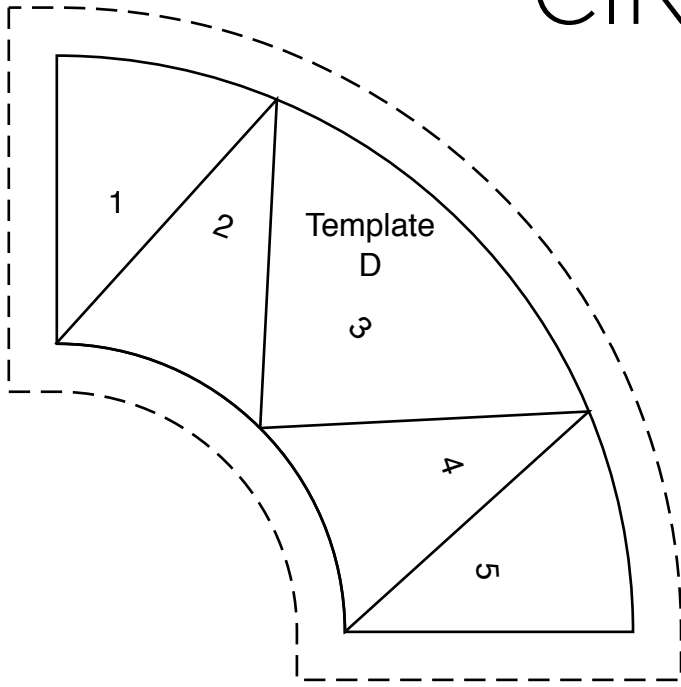


Block 2 SIMPLIFIED GEORGETOWN CIRCLE

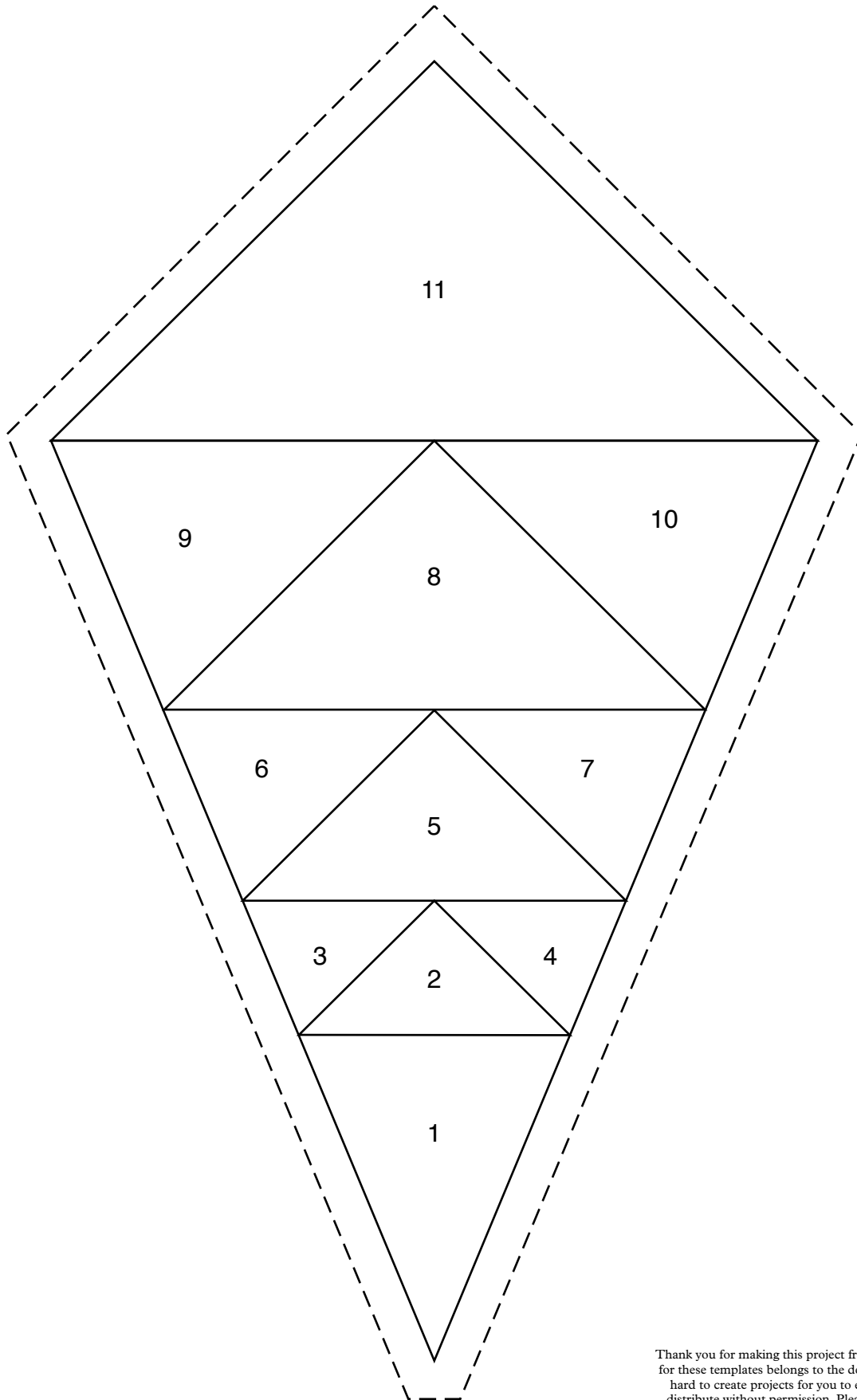


Block 2

SIMPLIFIED GEORGETOWN CIRCLE

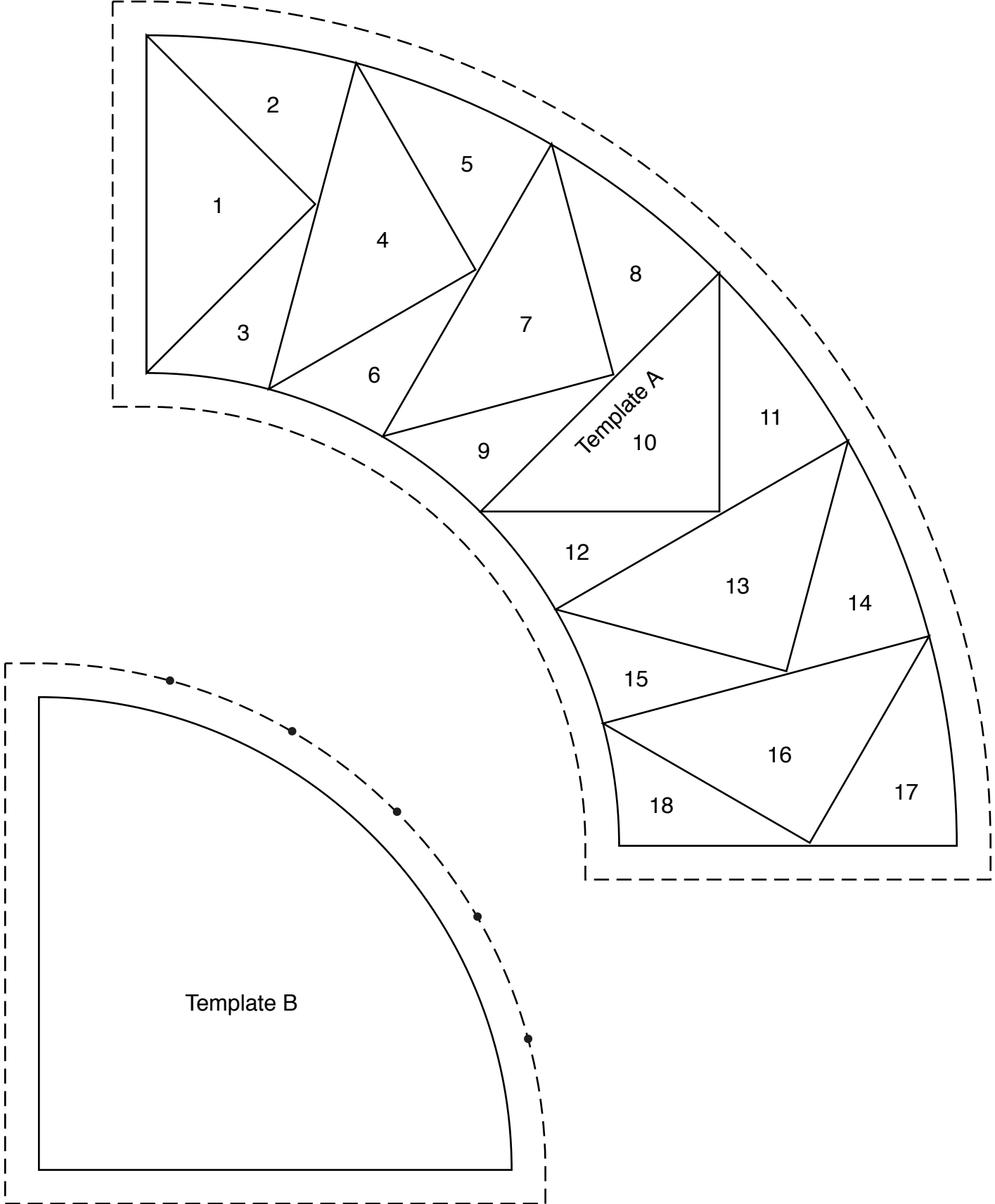


Block 3 TURNING SQUARES



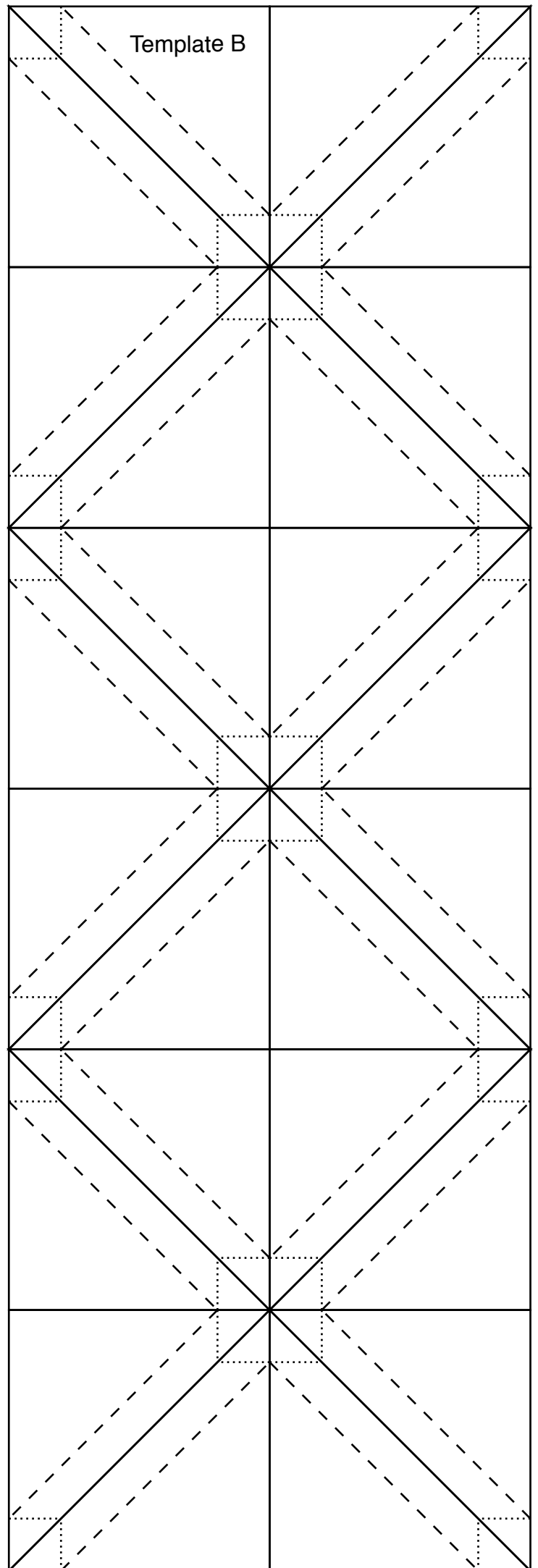
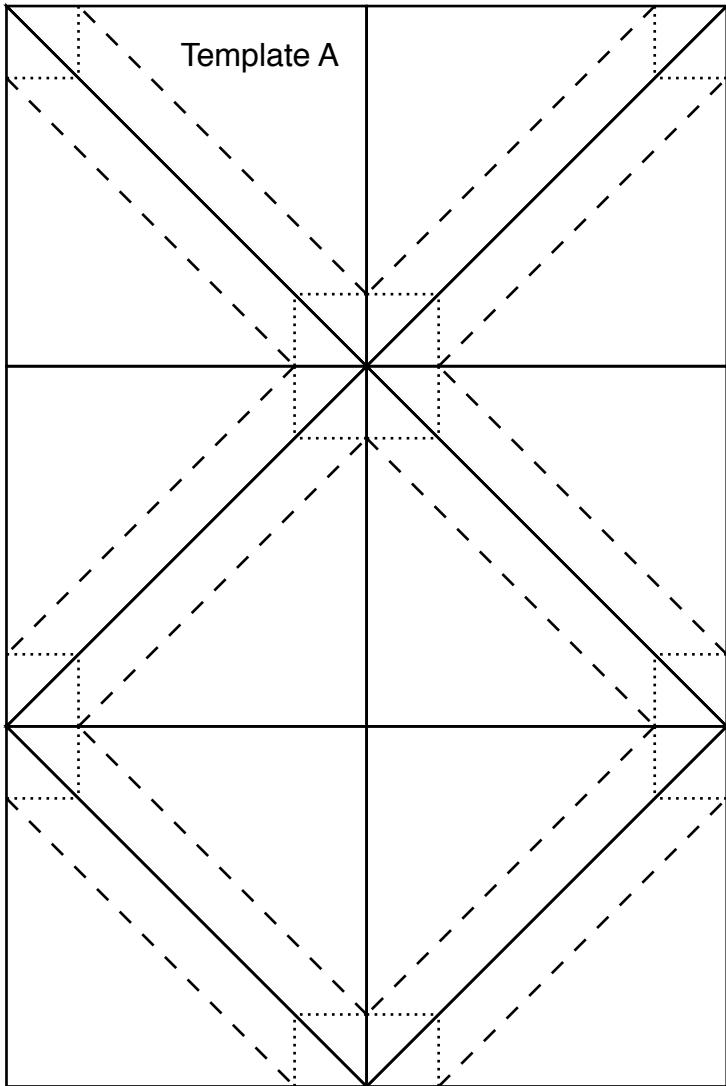
Thank you for making this project from *Today's Quilter*. The copyright for these templates belongs to the designer of the project. They work hard to create projects for you to enjoy, so please don't re-sell or distribute without permission. Please do not make any part of the templates or instructions available to others through your website or a third party website, or copy it multiple times without permission. Copyright law protects creative work and unauthorised copying is illegal. We appreciate your help.

Block 4 FLYING GEESE CIRCLE

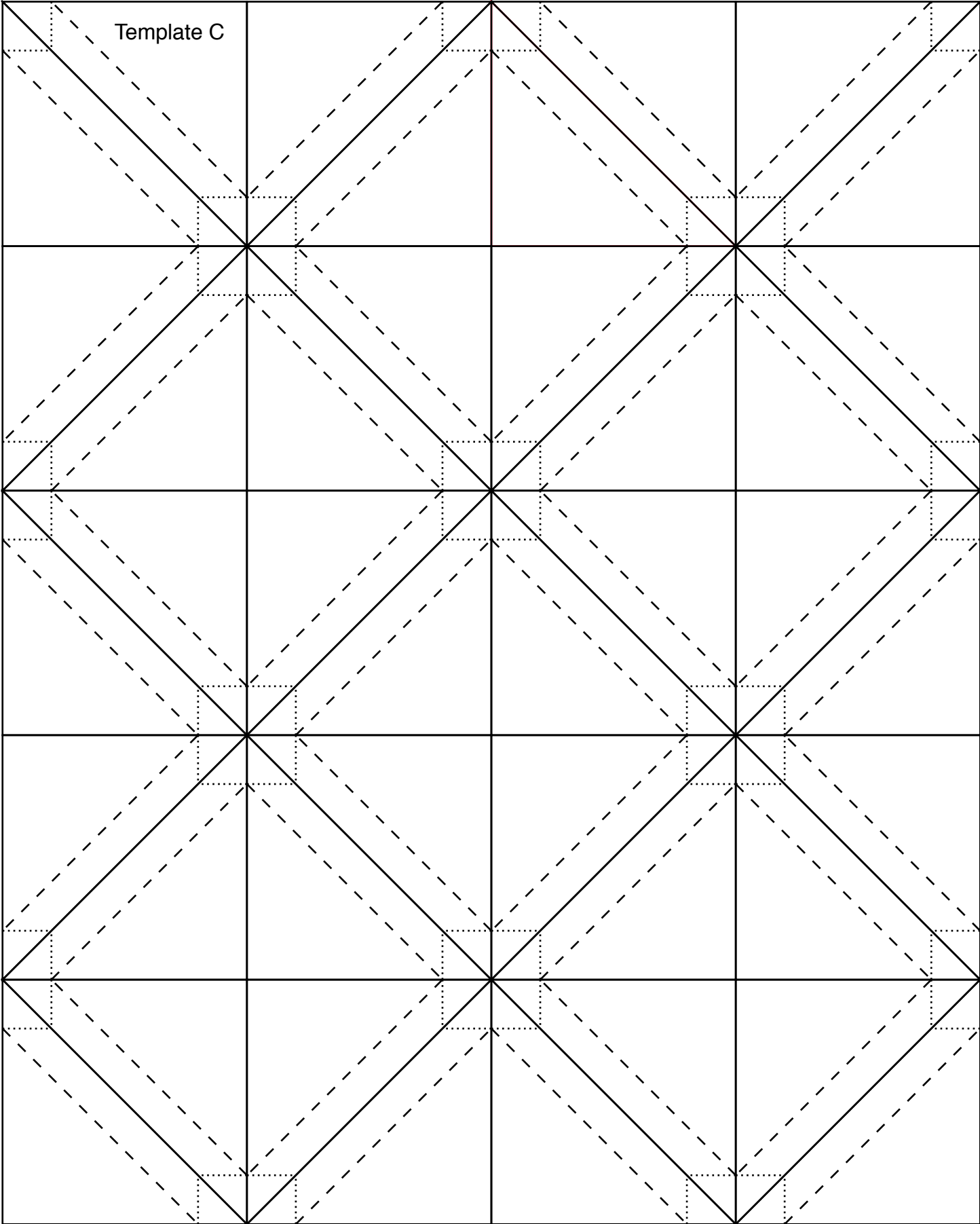


Block 5

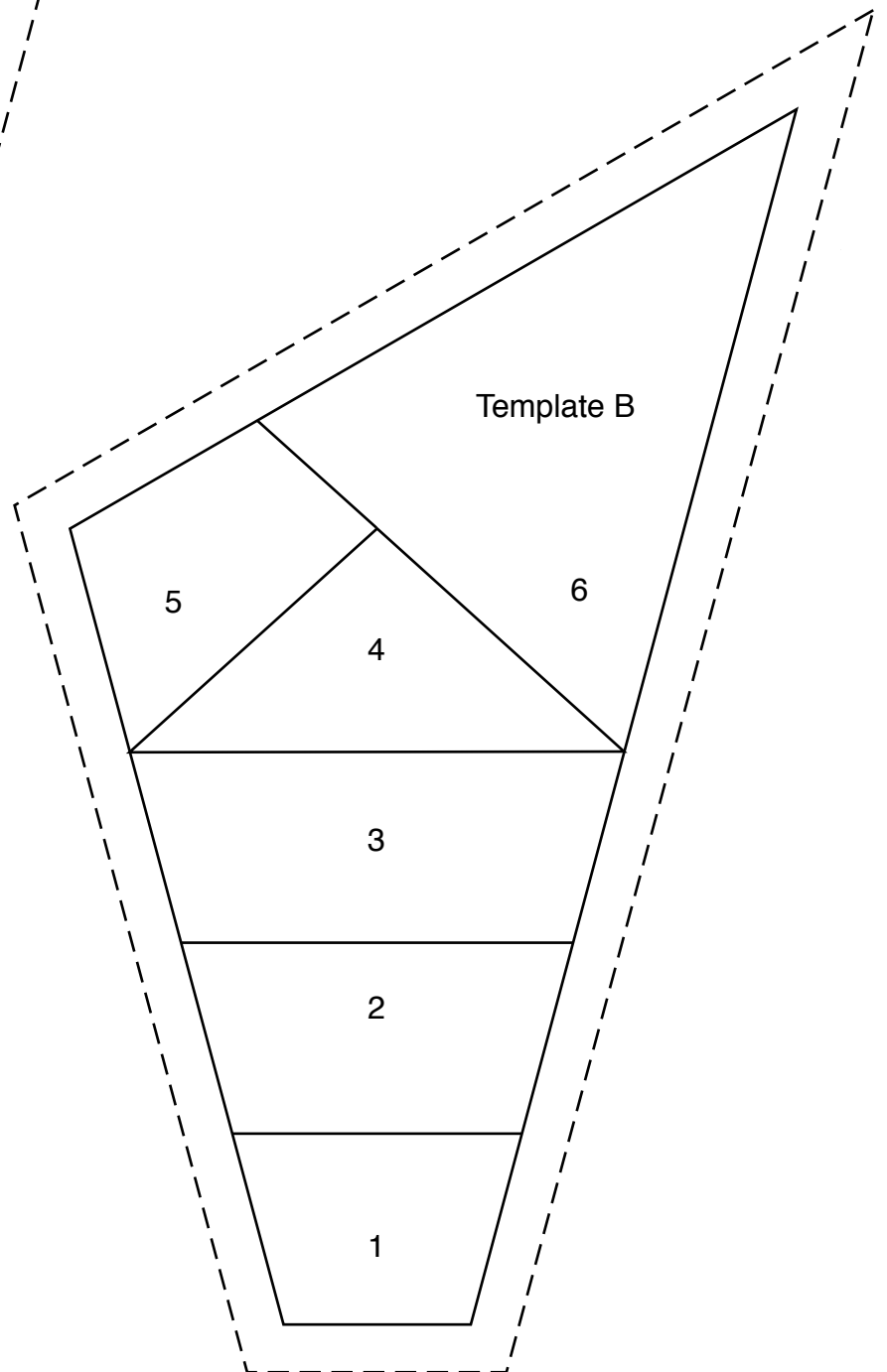
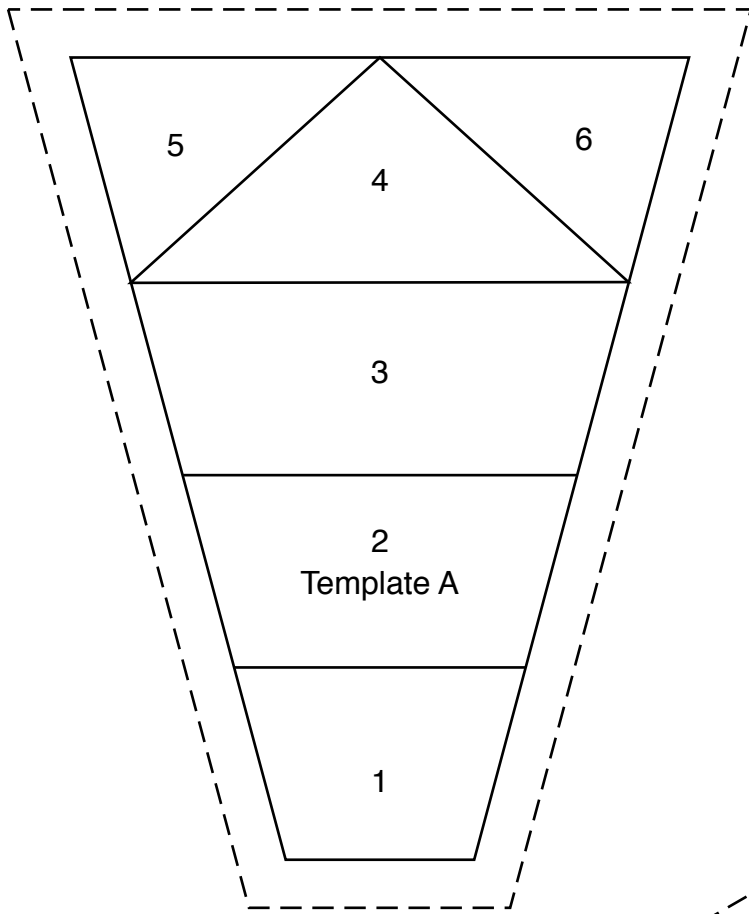
EXPLODING STAR



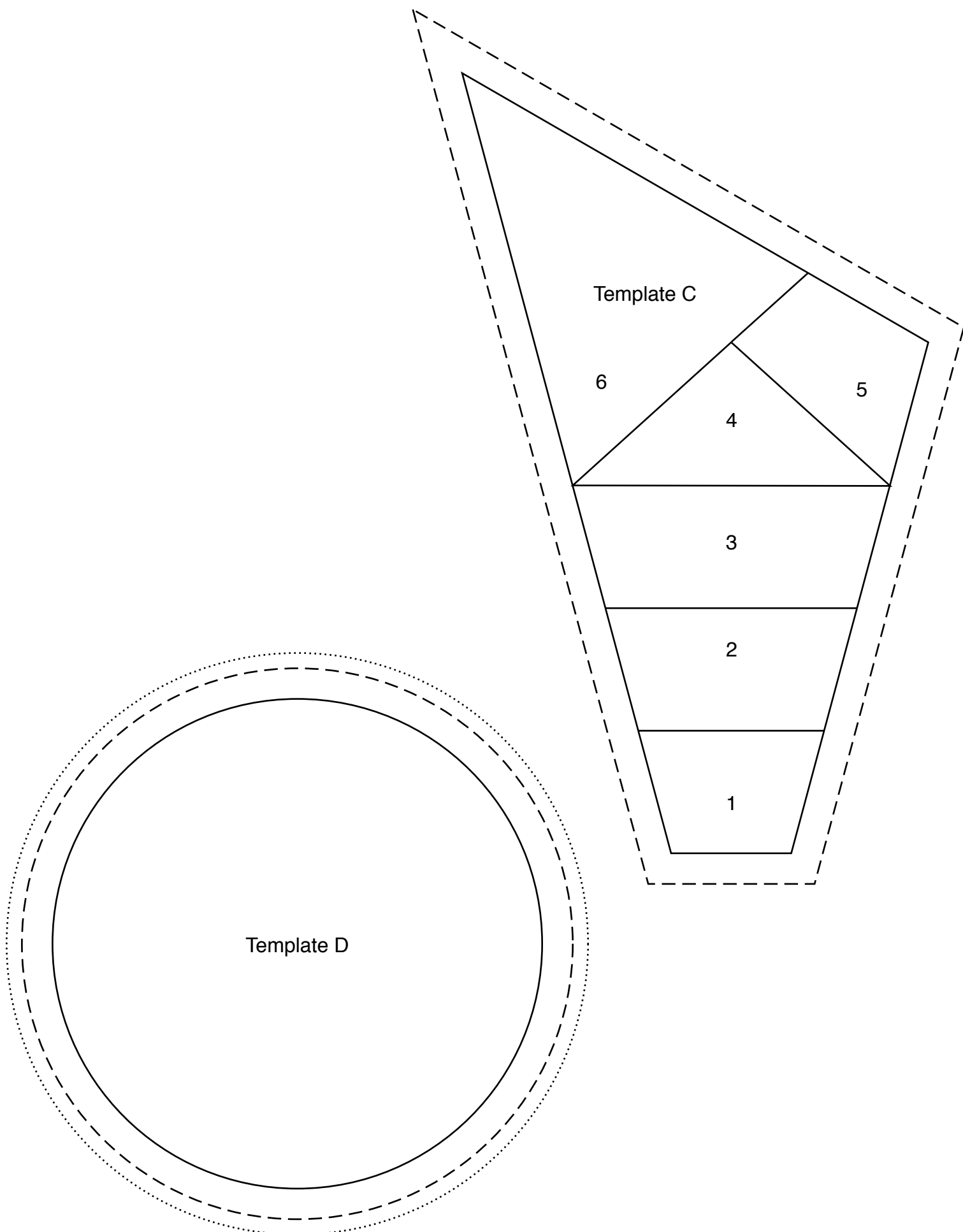
Block 5 EXPLODING STAR



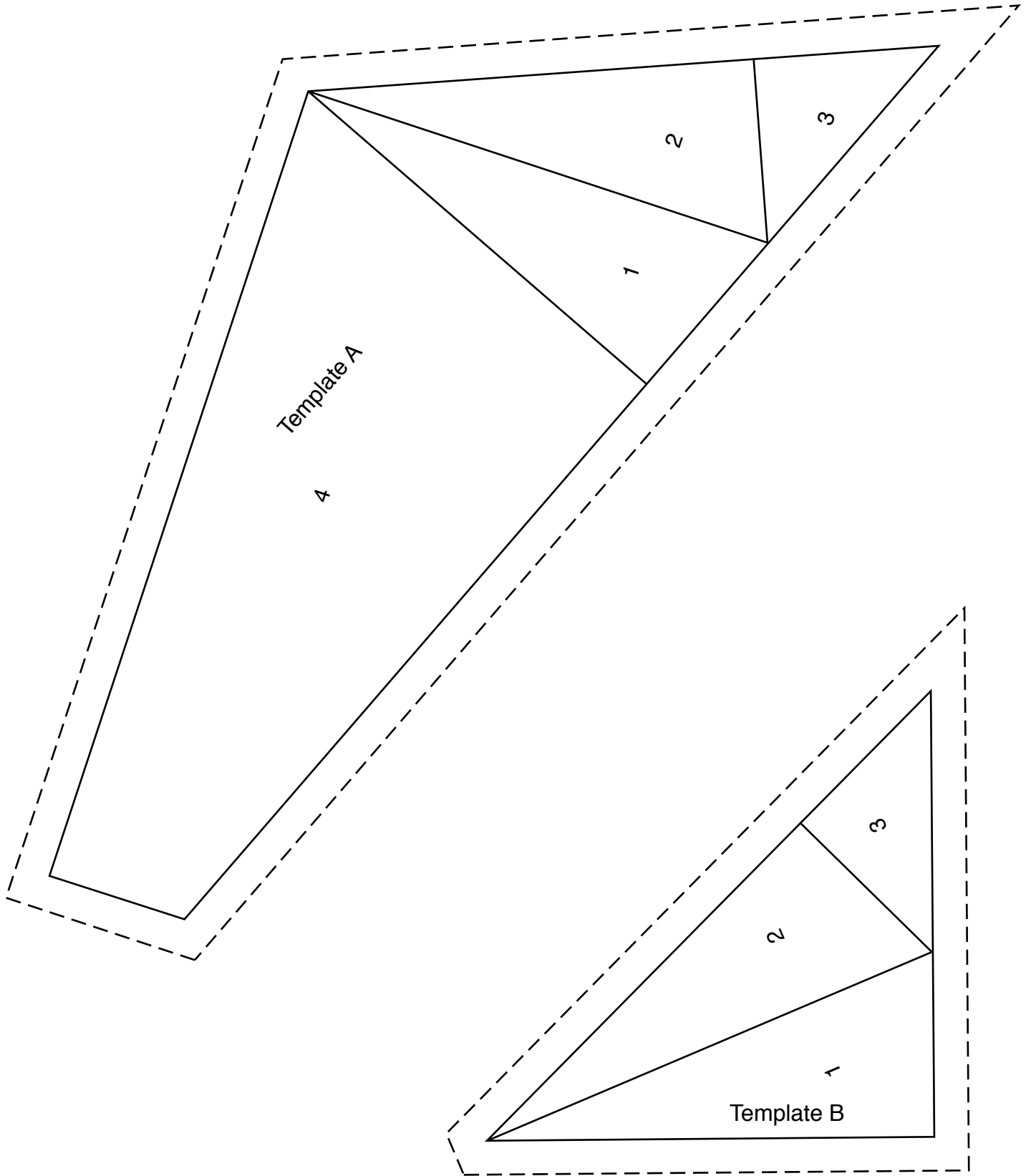
Block 6 CHECKERBOARD DRESDEN



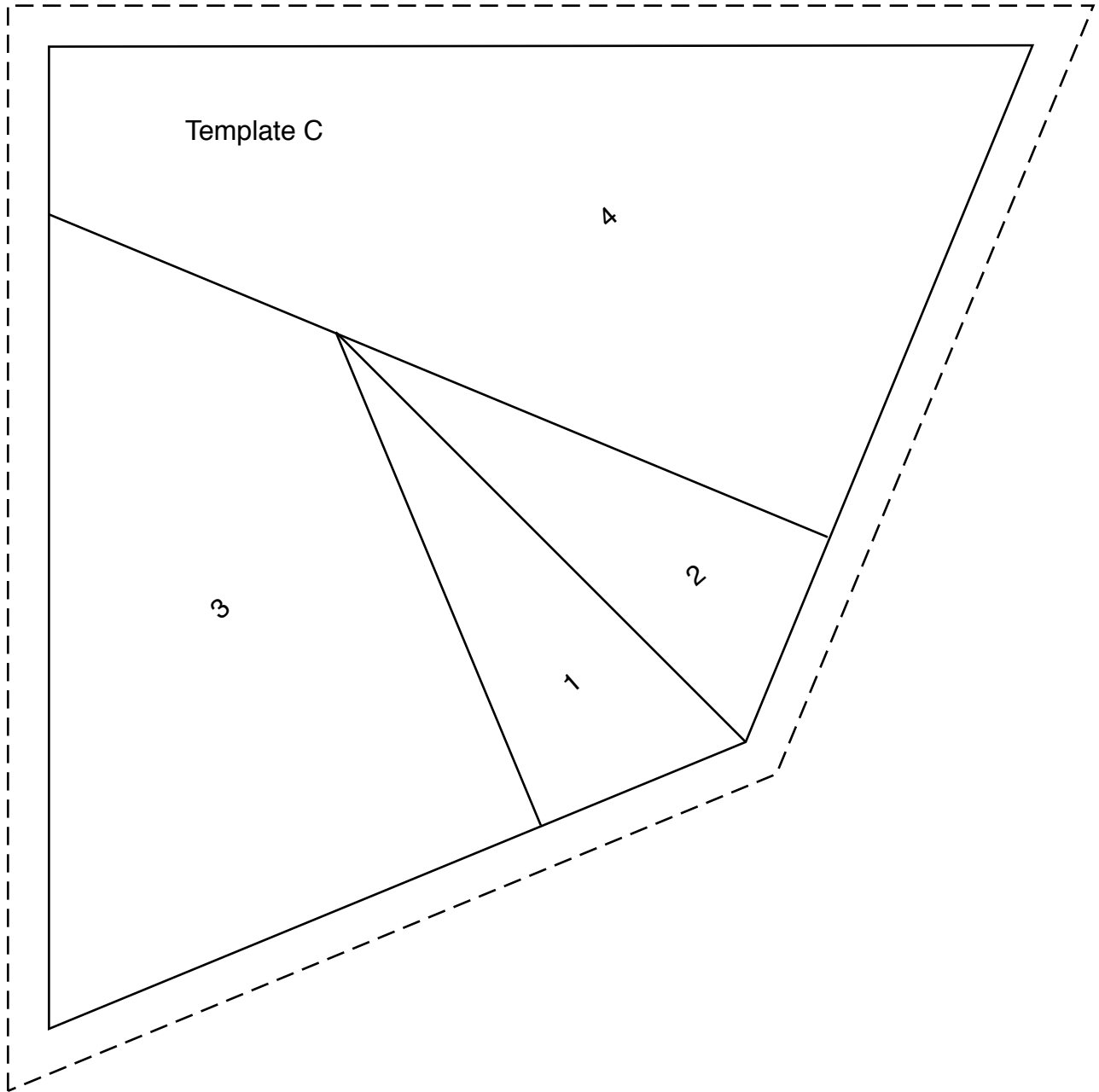
Block 6 CHECKERBOARD DRESDEN



Block 7 HARLEQUIN STAR

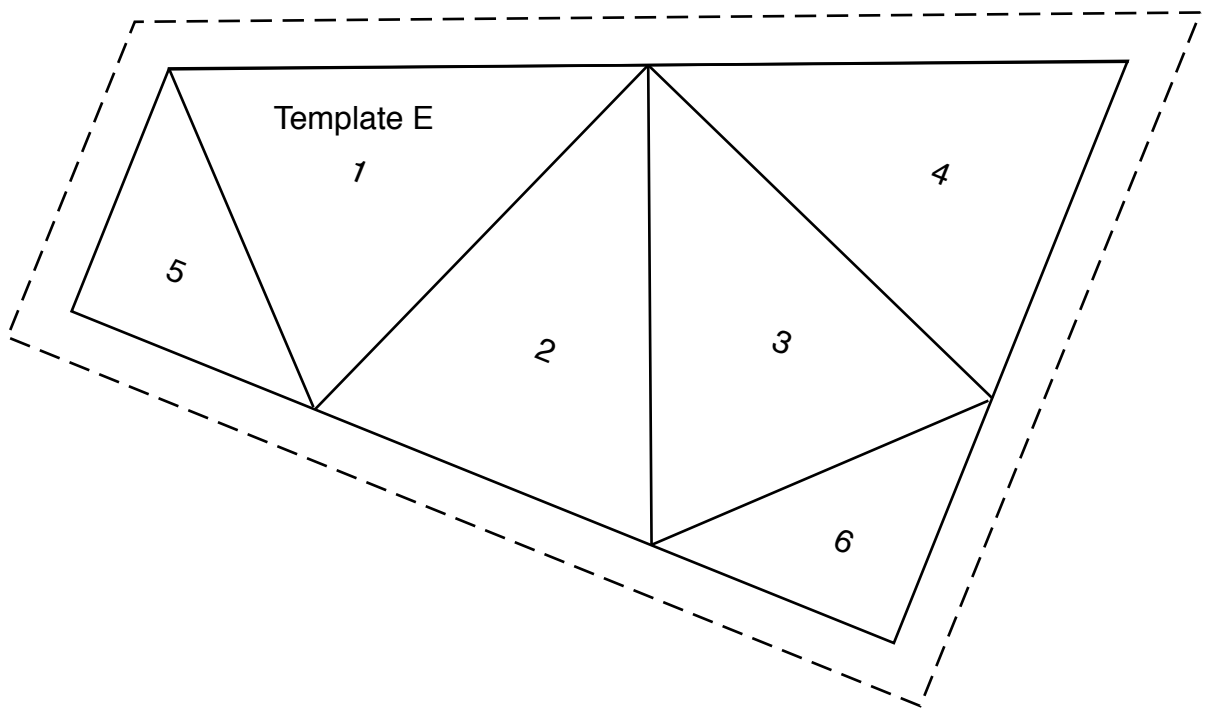
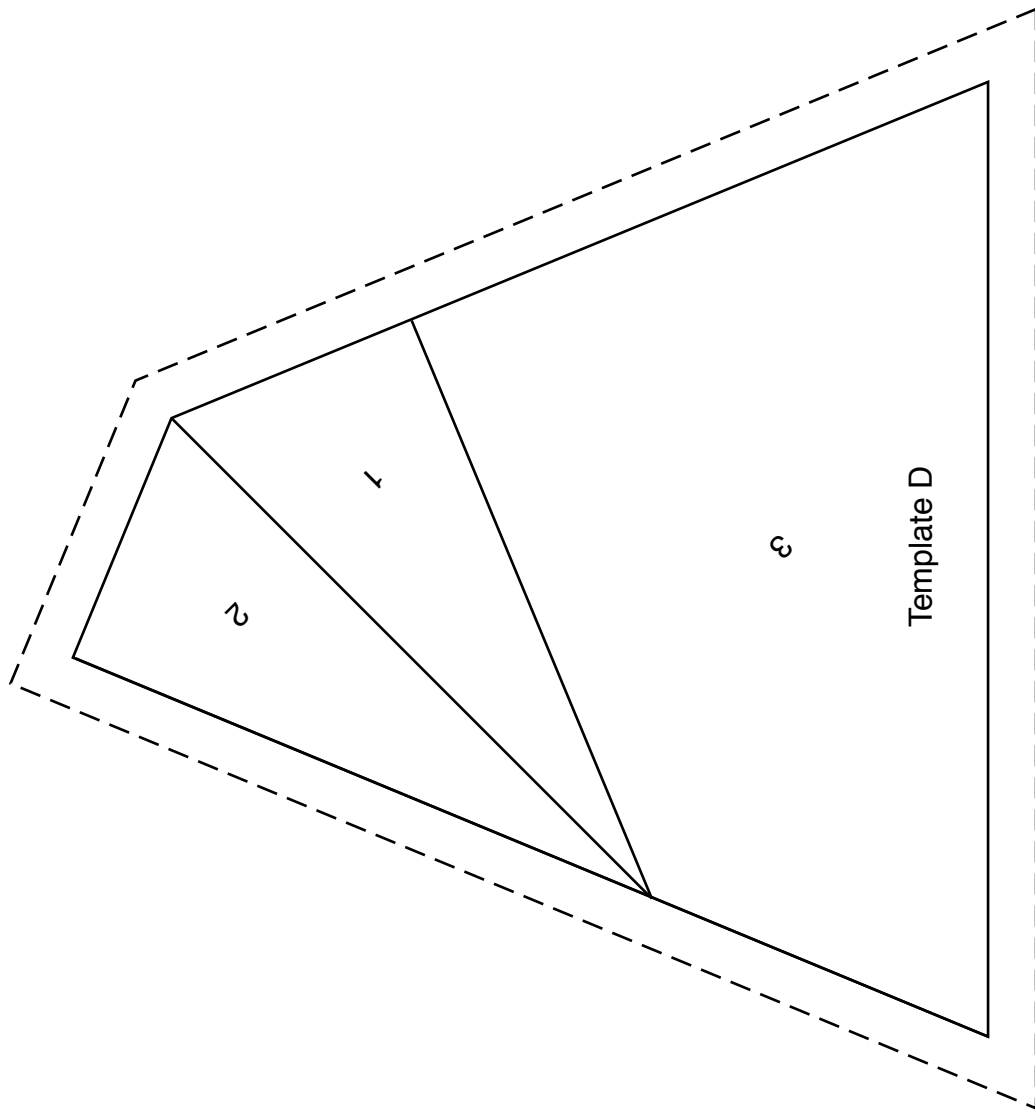


Block 7 HARLEQUIN STAR



Thank you for making this project from *Today's Quilter*. The copyright for these templates belongs to the designer of the project. They work hard to create projects for you to enjoy, so please don't re-sell or distribute without permission. Please do not make any part of the templates or instructions available to others through your website or a third party website, or copy it multiple times without permission. Copyright law protects creative work and unauthorised copying is illegal. We appreciate your help.

Block 7 HARLEQUIN STAR



Block 8 MARINER'S COMPASS

