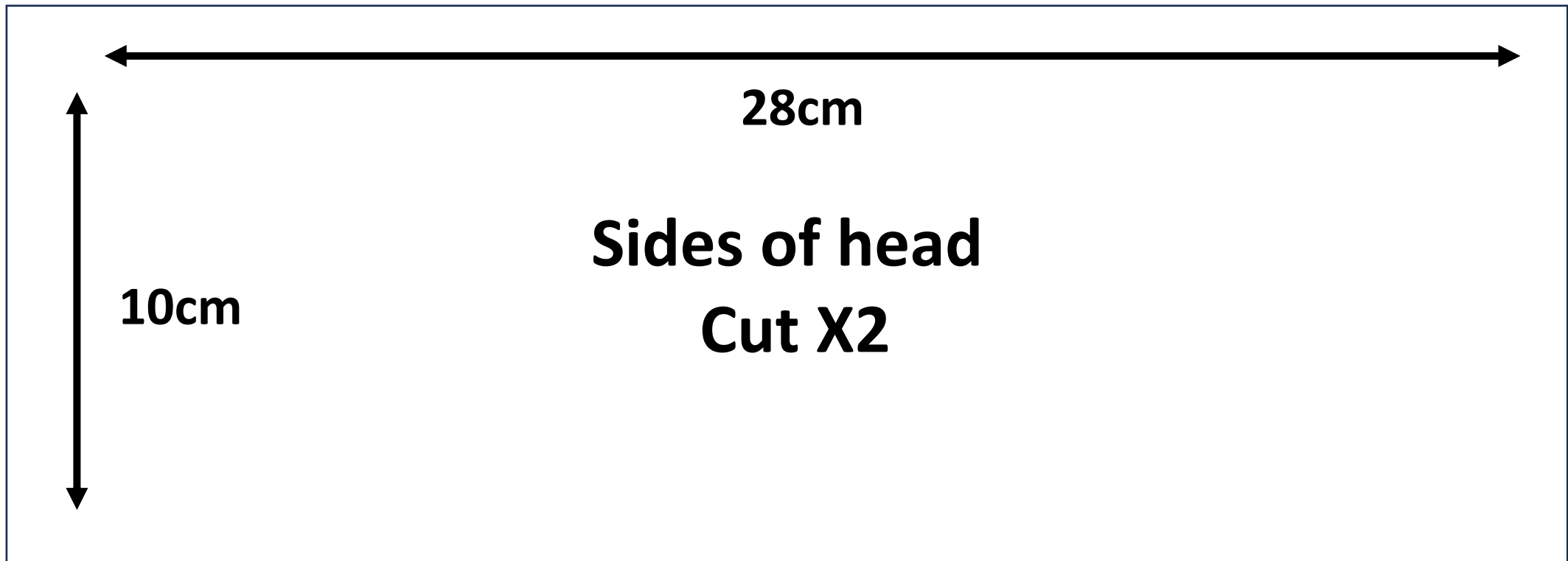
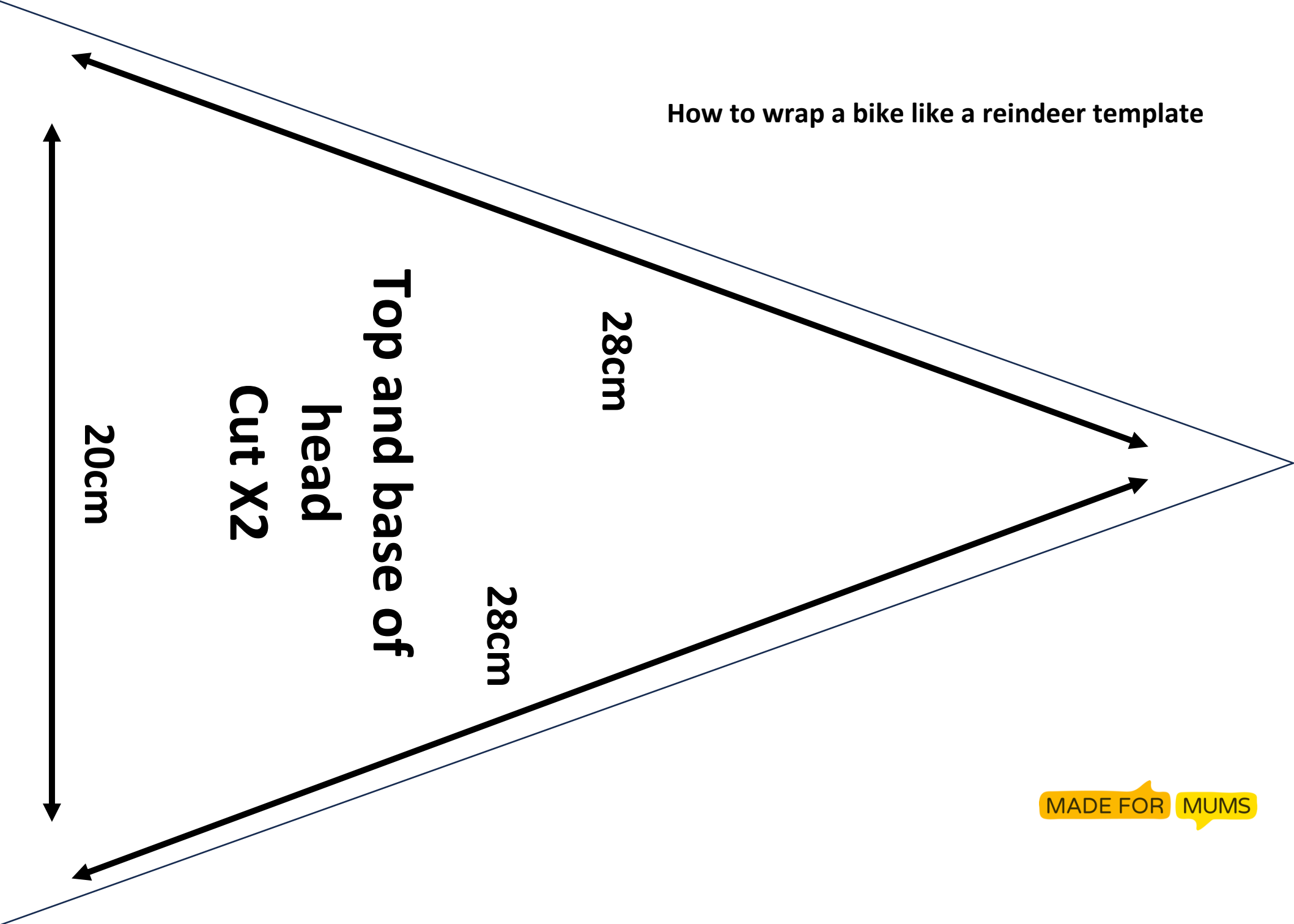


How to wrap a bike like a reindeer: templates for the head



How to wrap a bike like a reindeer template



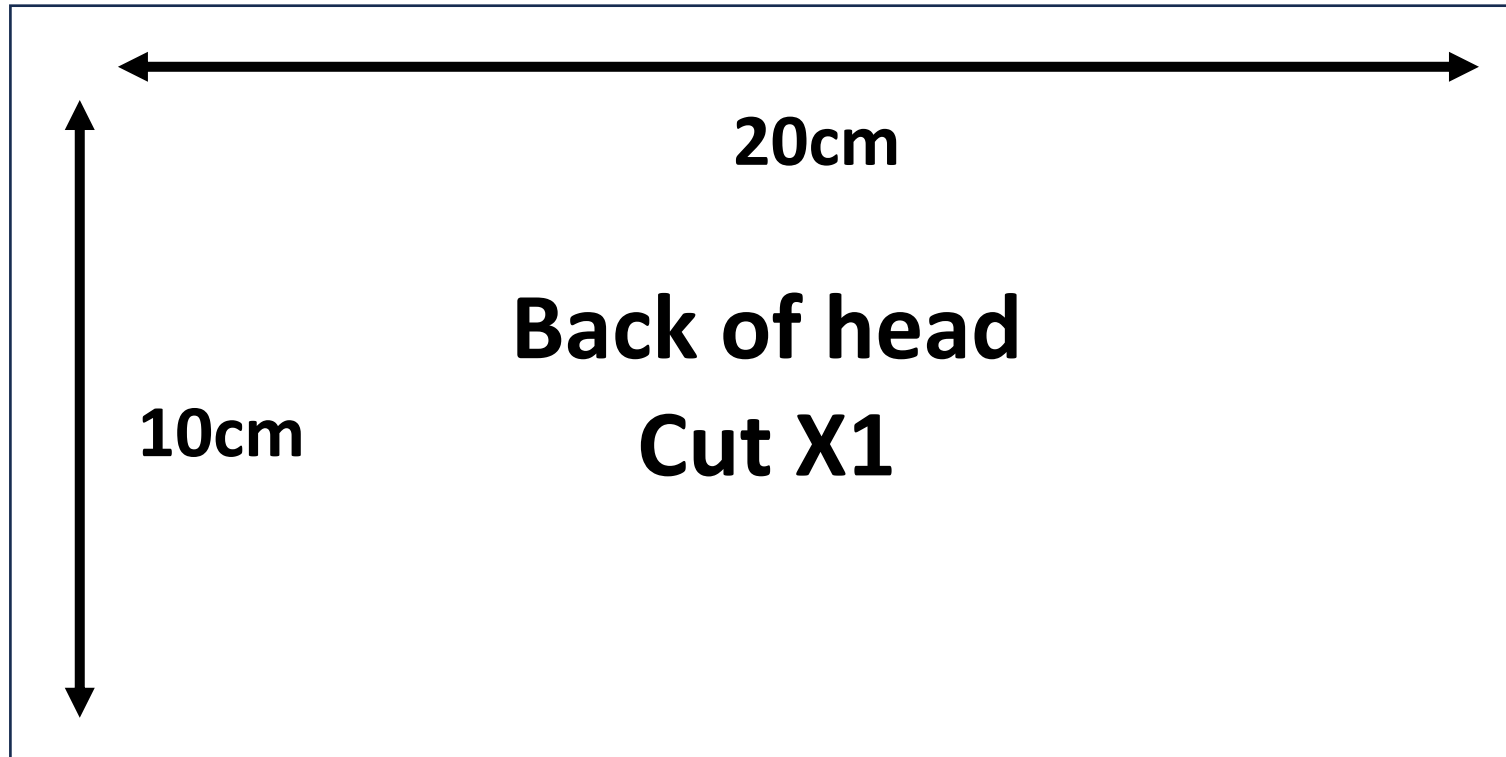
**Top and base of
head
Cut X2**

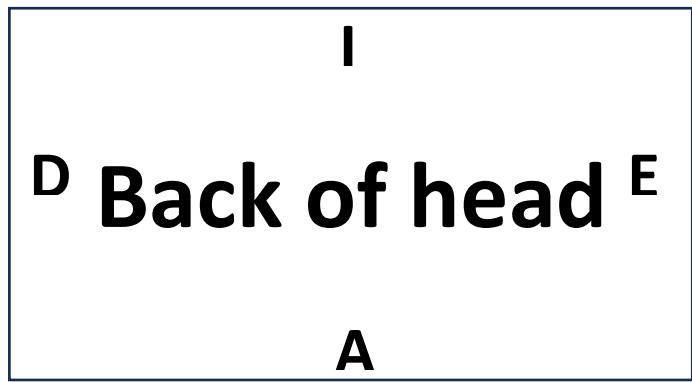
28cm

28cm

20cm

How to wrap a bike like a reindeer template





Assembling the reindeer head

Use the letters on this diagram to assemble the head: match the letters to see how the shapes attach to each other

